

TC-FX320

SERVICE MANUAL

*US Model
Canadian Model
AEP Model
UK Model
E Model*



'Dolby' and the double-D symbol are the trade marks of Dolby Laboratories Licensing Corporation. Noise reduction system manufactured under license from Dolby Laboratories Licensing Corporation.

SILVER MODEL SHOWN.

SPECIFICATIONS

Tape Transport Mechanism Type	TCM-150V4
-------------------------------	-----------

Recording system

4-track 2-channel stereo

Fast-forward and rewind time

Approx. 100 sec. (with C-60 cassette)


Bias frequency

105 kHz


Signal-to-noise ratio (NAB, at peak level)

Cassette	Dolby NR switch	OFF	B-TYPE ON	C-TYPE ON
TYPE IV (Sony METAL-ES)		55 dB	65 dB	71 dB
TYPE II (Sony UCX)		55 dB	63 dB	69 dB
TYPE I (Sony HF-S)		52 dB	61 dB	67 dB

SAFETY-RELATED COMPONENT WARNING!!

COMPONENTS IDENTIFIED BY SHADING AND MARK  ON THE SCHEMATIC DIAGRAMS AND IN THE PARTS LIST ARE CRITICAL TO SAFE OPERATION. REPLACE THESE COMPONENTS WITH SONY PARTS WHOSE PART NUMBERS APPEAR AS SHOWN IN THIS MANUAL OR IN SUPPLEMENTS PUBLISHED BY SONY.

ATTENTION AU COMPOSANT AYANT RAPPORT À LA SÉCURITÉ!

LES COMPOSANTS IDENTIFIÉS PAR UNE TRAME ET UNE MARQUE  SUR LES DIAGRAMMES SCHEMATIQUES ET LA LISTE DES PIÈCES SONT CRITIQUES POUR LA SÉCURITÉ DE FONCTIONNEMENT. NE REMPLACER CES COMPOSANTS QUE PAR DES PIÈCES SONY DONT LES NUMÉROS SONT DONNÉS DANS CE MANUEL OU DANS LES SUPPLÉMENTS PUBLIÉS PAR SONY.

Total harmonic distortion

1.0% (with Sony METAL-ES cassette)

Frequency response

DOLBY NR OFF

- With TYPE IV cassette (Sony METAL-ES)
 - 20 - 17,000 Hz
 - 30 - 16,000 Hz (± 3 dB)
 - 30 - 13,000 Hz (± 3 dB, 0 VU recording)
 - 30 - 16,000 Hz (DIN)

- With TYPE II cassette (Sony UCX)
 - 20 - 17,000 Hz
 - 30 - 14,000 Hz (± 3 dB)
 - 30 - 14,000 Hz (DIN)

- With TYPE I cassette (Sony HF-S)
 - 20 - 16,000 Hz
 - 30 - 13,000 Hz (DIN)

Wow and flutter

0.05% WRMS (NAB)
 $\pm 0.14\%$ (DIN)

Inputs

Microphone inputs (phone jacks)
Sensitivity 0.25 mV (-70 dB)
For a low impedance microphone
Line inputs (phono jacks)
Sensitivity 77.5 mV (-20 dB)
Input impedance 47 kilohms

Outputs

Line outputs (phono jacks)
Output level 0.44 V (-5 dB) at load impedance 4.7 kilohms
Load impedance over 10 kilohms
Headphone output (stereo phone jack)
Output level -28 dB at a load impedance of 8 ohms

— Continued on next page —



STEREO CASSETTE DECK
SONY[®]

TC

General

Power requirements

- AEP model: 220 V ac, 50/60 Hz
(240 V ac adjustable by authorized Sony personnel)
- UK model: 240 V ac, 50 Hz
(220 V ac adjustable by authorized Sony personnel)
- US, Canadian model: 120 V, 60 Hz
- E model: 120, 220 or 240 V ac adjustable, 50/60 Hz

Power consumption

12 watts

Dimensions

Approx. 430 × 105 × 245 mm (w/h/d)
(17 × 4¹/₄ × 9³/₄ inches)

Weight

including projecting parts and controls
Approx. 3.6 kg (7 lbs 15 oz)

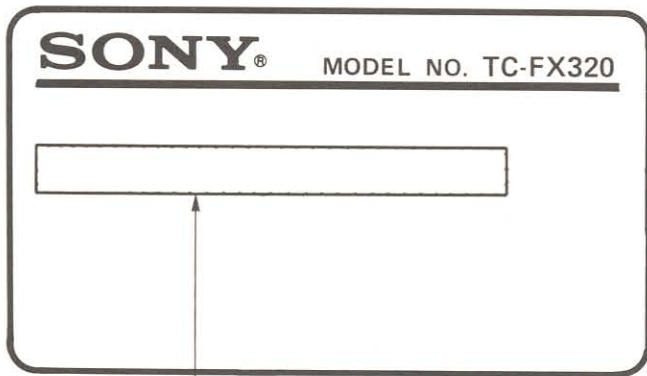
While the information given is correct at the time of printing, small production changes in the course of our company's policy of improvement through research and design might not necessarily be indicated in the specifications. We would ask you to check with your appointed Sony dealer if clarification on any point is required.

Note

This appliance conforms with EEC Directives 76/889 and 82/499 regarding interference suppression.

MODEL IDENTIFICATION

— Specification Labels —



- US, Canadian Model: AC 120V 60Hz 12W
- AEP, G-AEP Model: AC 220V ~ 50/60Hz 12W
- UK Model: AC 240V ~ 50/60Hz 12W
- E Model: AC 120, 220, 240V ~ 50/60Hz 12W

SAFETY CHECK-OUT (US Model)

After correcting the original service problem, perform the following safety check before releasing the set to the customer:

Check the antenna terminals, metal trim, "metallized" knobs, screws, and all other exposed metal parts for AC leakage. Check leakage as described below.

LEAKAGE TEST

The AC leakage from any exposed metal part to earth ground and from all exposed metal parts to any exposed metal part having a return to chassis, must not exceed 0.5 mA (500 microamperes). Leakage current can be measured by any one of three methods.

1. A commercial leakage tester, such as the Simpson 229 or RCA WT-540A. Follow the manufacturers' instructions to use these instruments.
2. A battery-operated AC milliammeter. The Data Precision 245 digital multimeter is suitable for this job.
3. Measuring the voltage drop across a resistor by means of a VOM or battery-operated AC voltmeter. The "limit" indication is 0.75 V, so analog meters must have an accurate low-voltage scale. The Simpson 250 and Sanwa SH-63Trd are examples of a passive VOM that is suitable. Nearly all battery operated digital multimeters that have a 2V AC range are suitable. (See Fig. A)

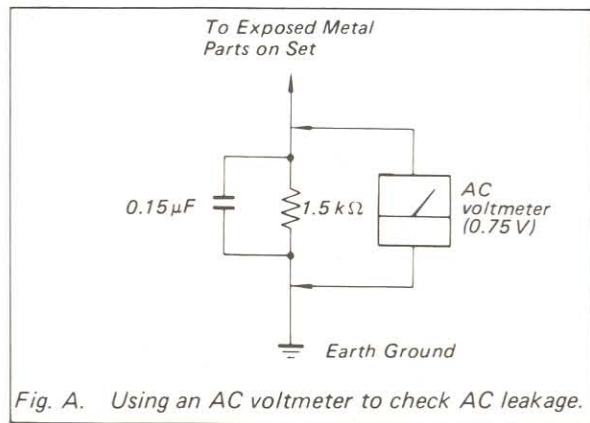
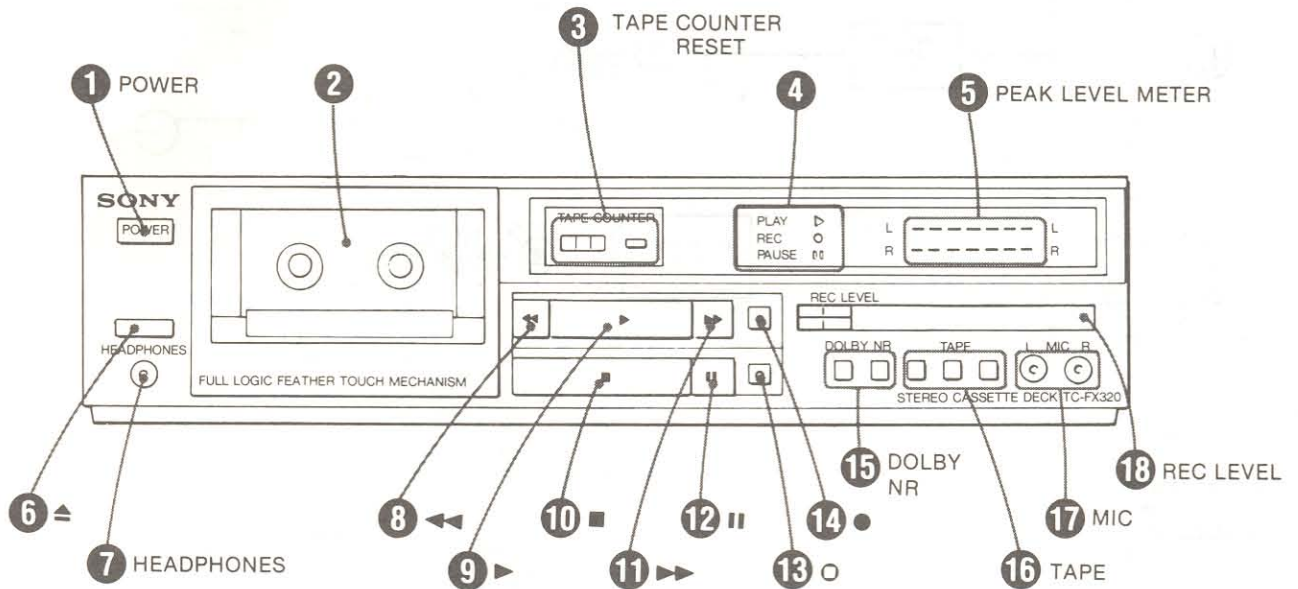


Fig. A. Using an AC voltmeter to check AC leakage.

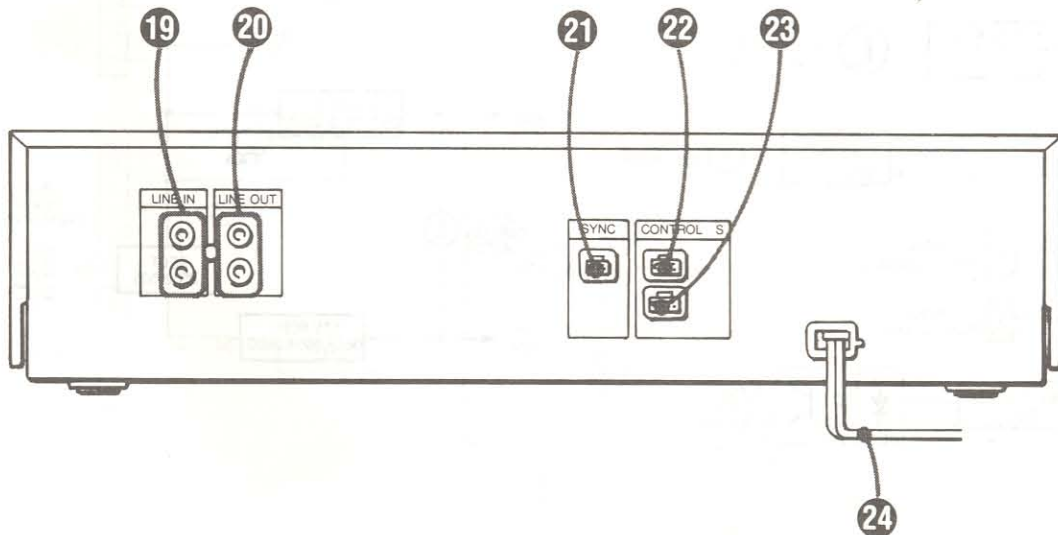
SECTION 1
OUTLINE

1-1. FUNCTION OF CONTROLS

A



B



Each number in the text is keyed to that of the illustrations on pages 3.

Front panel (Fig. A)

1 POWER switch

2 Cassette holder

3 TAPE COUNTER and RESET button

The tape counter provides a numerical reference point while recording which can be used to index a recorded cassette. To reset to zero, press the RESET button.

4 Function indicators

5 PEAK LEVEL METERS

These meters show the peak input level of each channel during recording, and recorded levels in the playback mode.

6 ▲ (eject) button

Press this button to open the cassette holder.

7 HEADPHONES jack (stereo phone jack)

8 ◀◀ (rewind) key

Press this key to advance the tape rapidly to the left. It is also used for the auto play and review functions.

9 ▶ (playback) key

Press this key to playback the cassette. To record, press this key while holding the ● key down. The tape is transported to the right.

10 ■ (stop) key

11 ▶▶ (fast-forward) key

Press this key to advance the tape rapidly to the right. It is also used for the cue functions.

12 || (pause) key

Press this key to stop the tape running for a moment during recording or playback. This key is also used for the cue and review functions.

13 ○ (record muting) key

Press this key to eliminate unwanted material and to insert a blank space during recording.

14 ● (record) key

Press this key together with the ▶ key to start recording.

15 DOLBY NR* switch

For recording or playback with Dolby B-type system, set the DOLBY NR switch to B. For recording or playback with Dolby C-type NR system, set it to C. For recording without Dolby NR system, set it to OFF.

*“Dolby” and the double-D symbol are trade marks of the Dolby Laboratories Licensing Corporation. Noise reduction system manufactured under license from Dolby Laboratories Licensing Corporation.

The Dolby NR system reduces tape hiss and improves the signal-to-noise ratio at low-level high-frequency signals.

16 TAPE select buttons

Depress one of the TAPE select buttons, depending on which type of tape you use. The optimum bias current adjustment for recording and the optimum equalization adjustment for both recording and playback are set.

17 MIC jacks (phone jack)

Any low-impedance microphone equipped with a phone plug may be used.

18 REC LEVEL (recording level) controls

These controls adjust the recording level.

Rear panel (Fig. B)

19 LINE IN (line input) jacks (phono jack)

Accept tape outputs from an amplifier for tape recording and line outputs from another tape deck when dubbing a tape from that unit.

20 LINE OUT (line output) jacks (phono jack)

Accept tape inputs from an amplifier for playing back a tape and line inputs from another tape deck for dubbing a tape onto that unit.

21 SYNC connector (3-pin)

For synchro recording, connect to the SYNC connector of the turntable system. For further details, refer to the instruction manual of the Sony turntable system.

22 CONTROL S IN connector

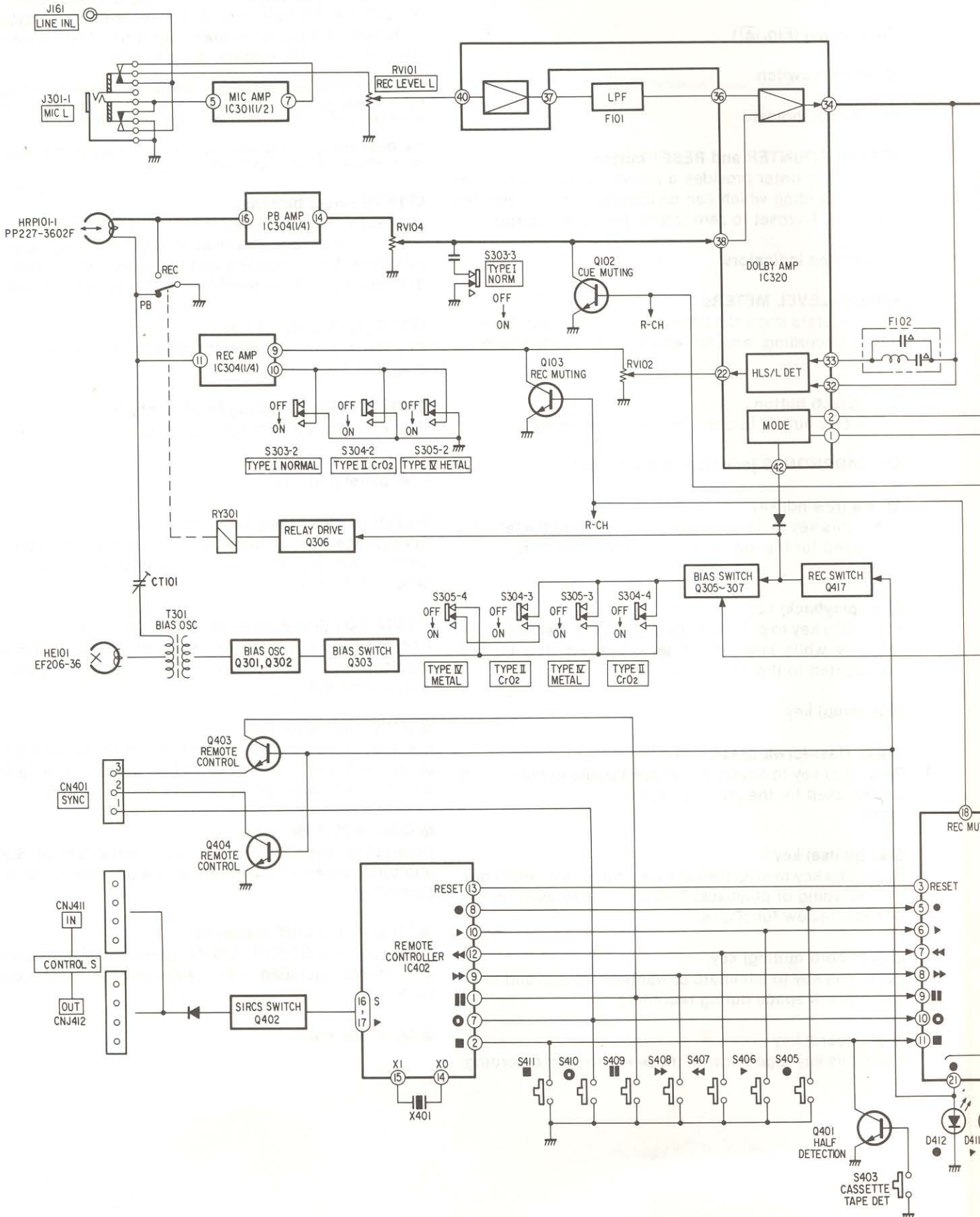
Connect to the CONTROL S OUT connector of Sony audio equipments equipped with a 4-pin remote control connector.

23 CONTROL S OUT connector

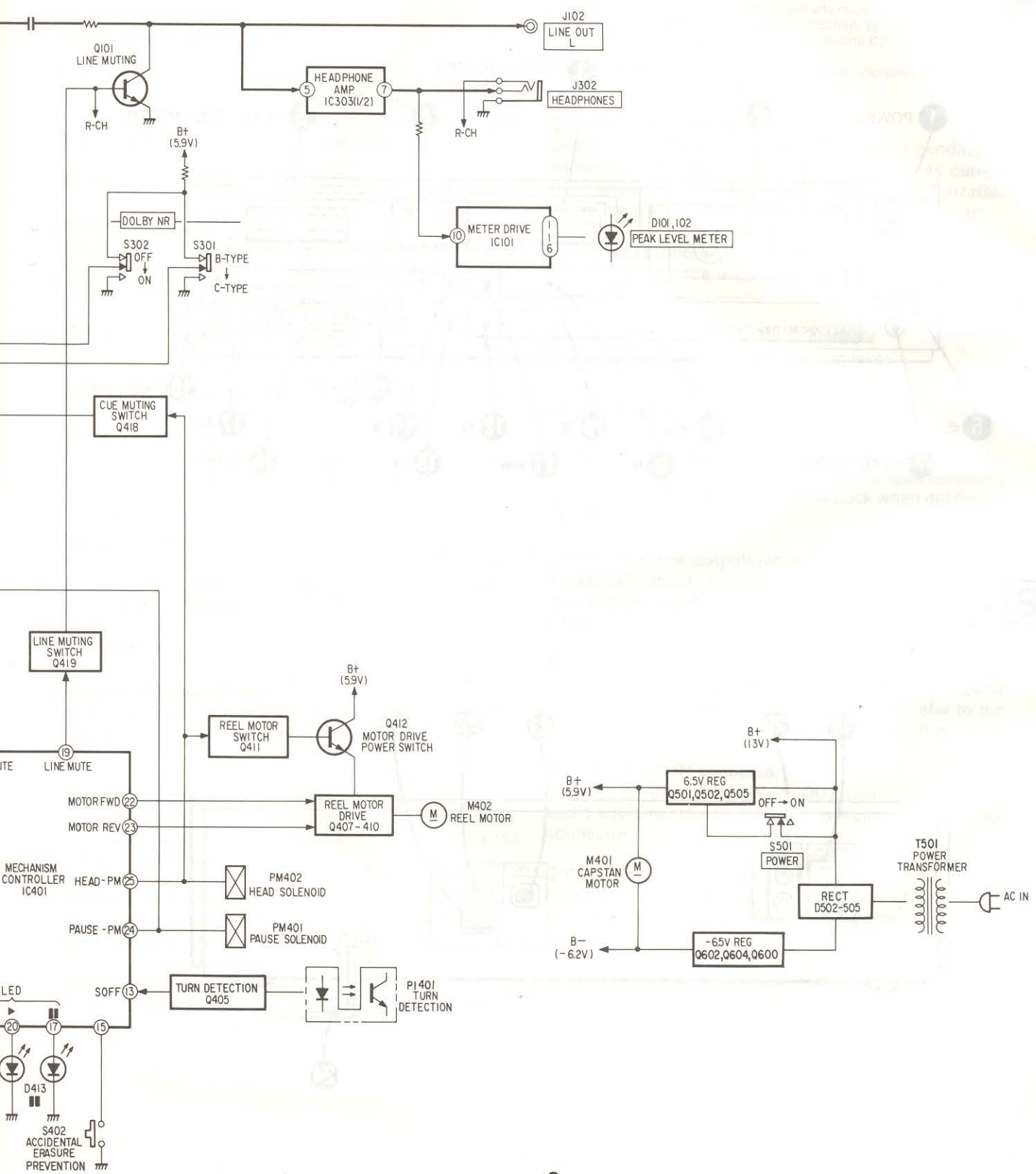
Connect to the CONTROL S IN connector of Sony audio equipments equipped with a 4-pin remote control connector.

24 AC power cord

1-2. BLOCK DIAGRAM



SECTION 1
OUTLINE



SECTION 2
DISASSEMBLY

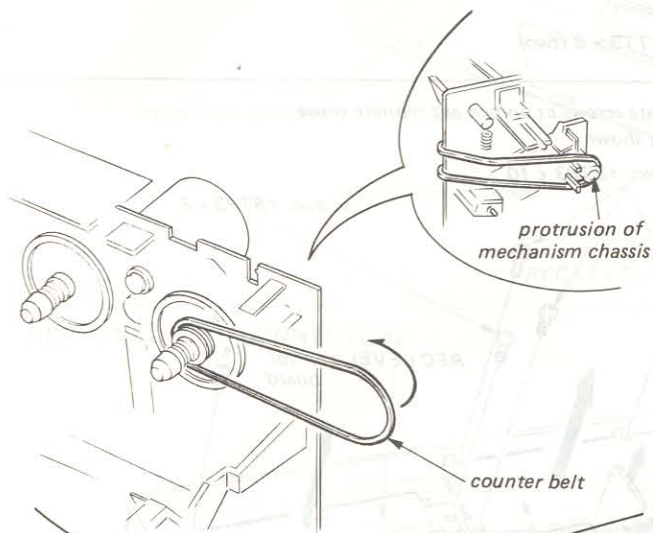
Note: Follow the disassembly procedure in the numerical order given.

CASE

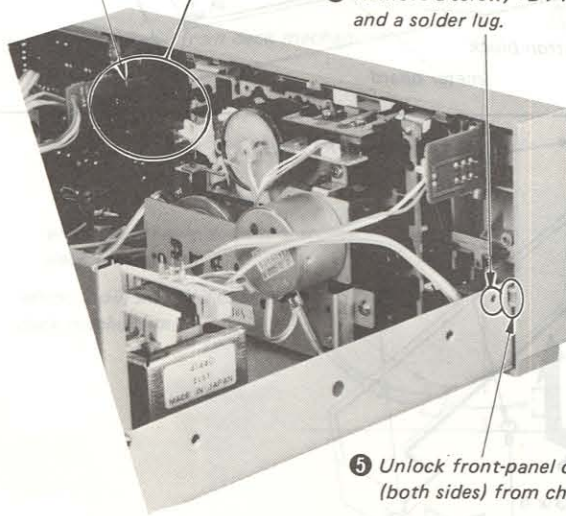
Remove four (4) screws and case.

FRONT PANEL

1 Remove counter belt and temporarily hang it on the protrusion of the mechanism chassis.



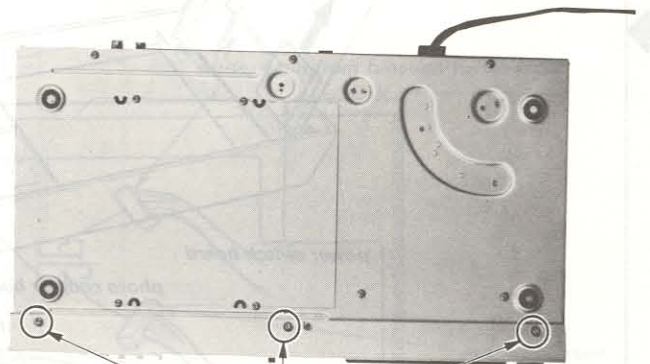
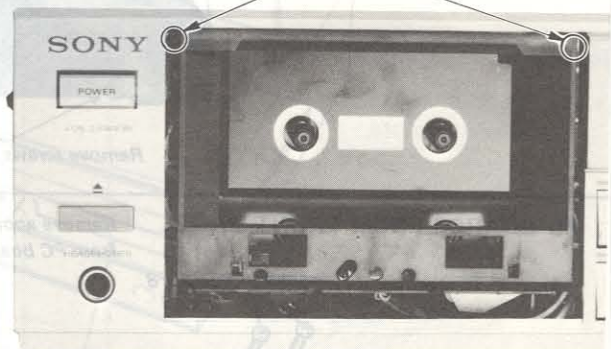
tape counter



4 Remove a screw, +BVTT3 x 6, and a solder lug.

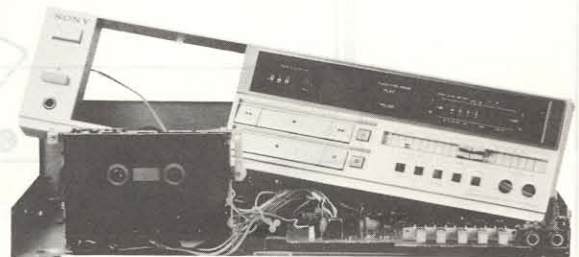
5 Unlock front-panel claws (both sides) from chassis.

2 Remove screws, +BVTT3 x 6 (two).

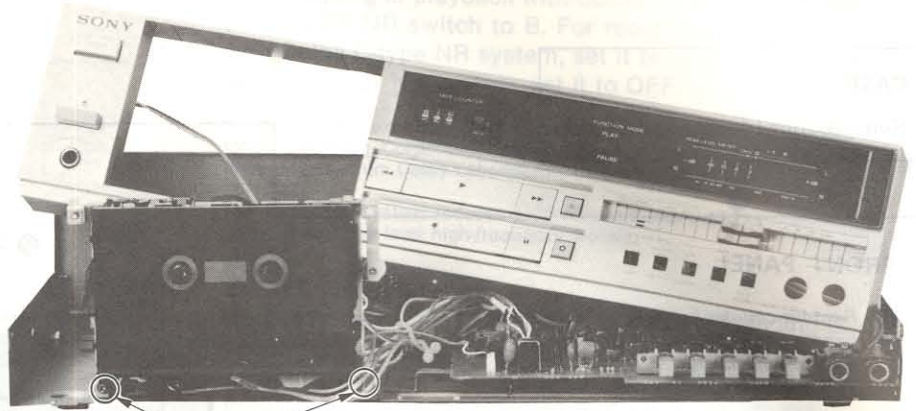


3 Remove screws, +BVTT3 x 6 (three).

6 Pull front panel forward. Take care not to break lead wires extracting from PC boards. Front panel contains six (6) PC boards.



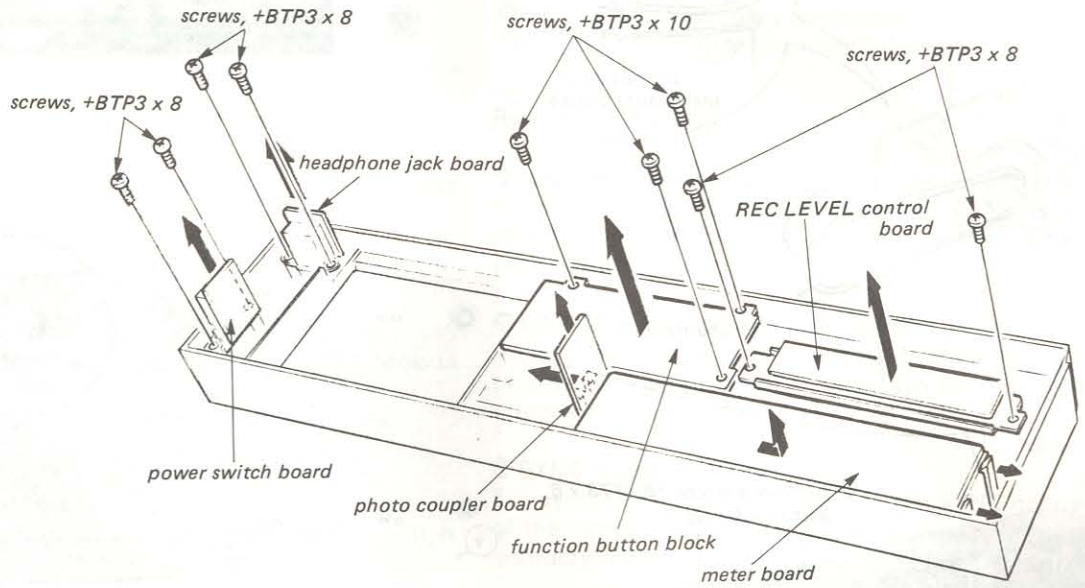
DECK MECHANISM



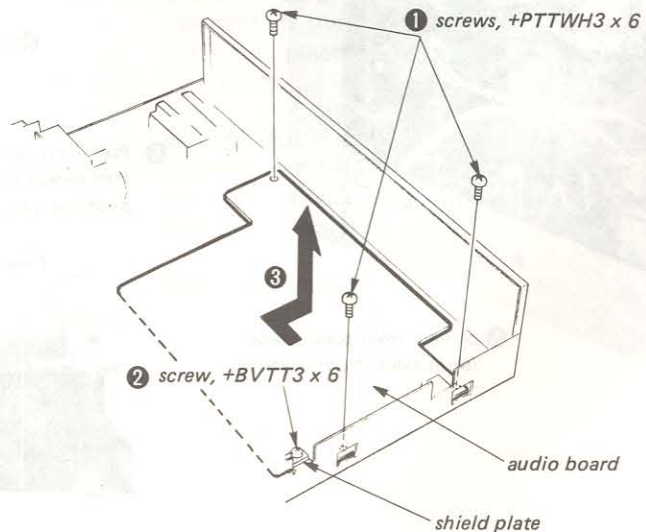
Remove screws, +BVT3 x 6 (two).

PC BOARDS FROM FRONT PANEL

Remove appropriate screws or unlock appropriate claws from PC boards as shown.

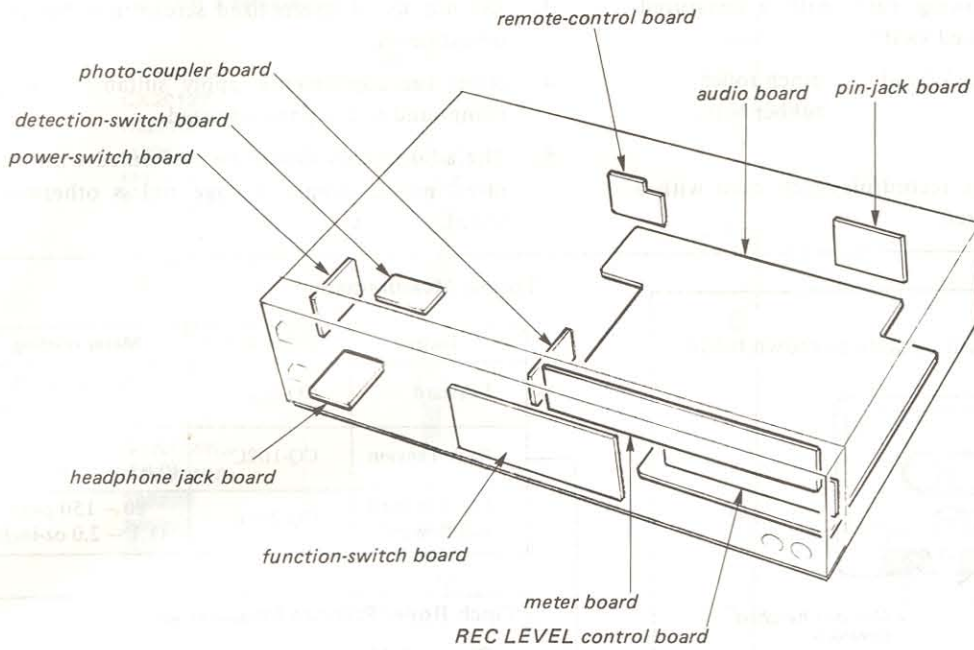


AUDIO BOARD

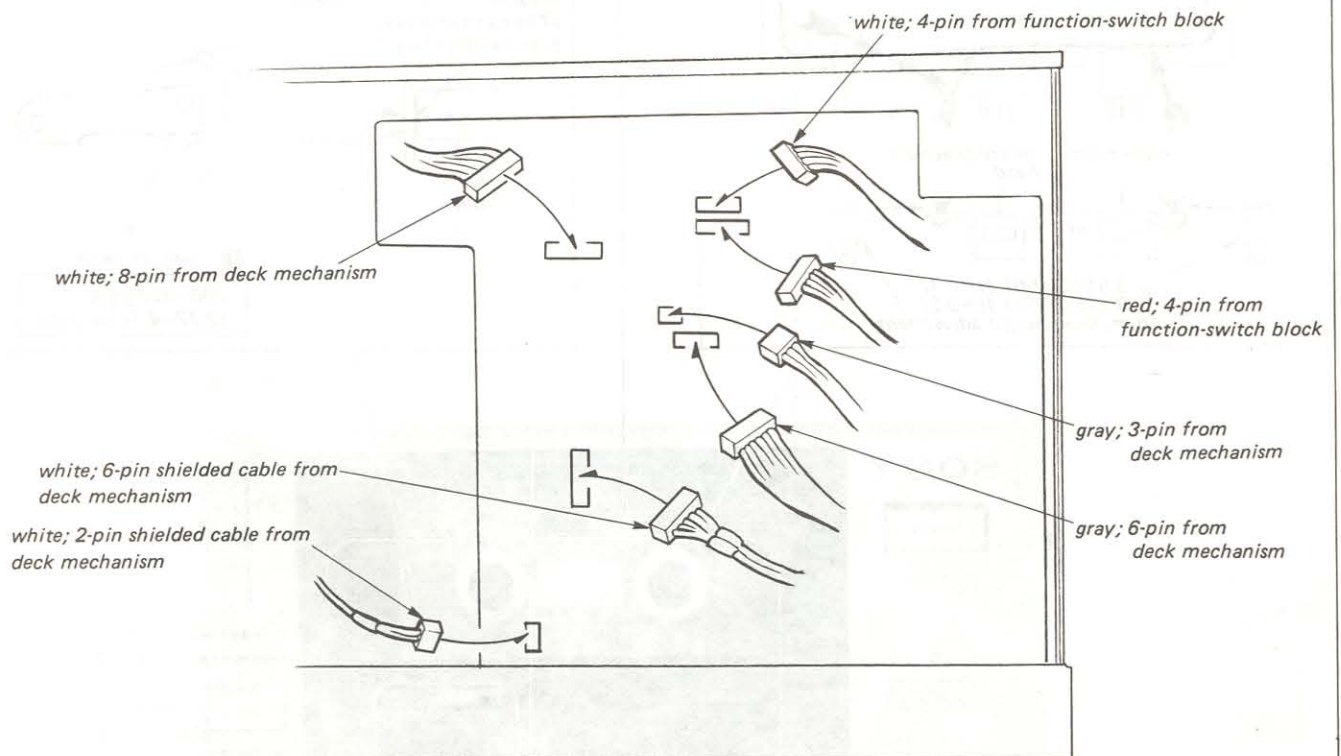


SECTION 2
ADJUSTMENTS

LOCATION OF PRINTED-CIRCUIT BOARDS



RECONNECTING CONNECTORS



SECTION 3 ADJUSTMENTS

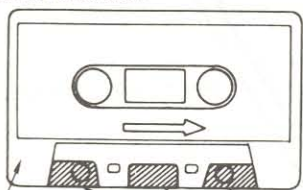
3-1. MECHANICAL ADJUSTMENTS

PRECAUTION

- | | | | | | | | |
|--|----------------------|--------------|------------|--------------|---------|--|---|
| <ol style="list-style-type: none"> 1. Clean the following parts with a denatured-alcohol-moistened swab: <table border="0" style="margin-left: 20px; width: 80%;"> <tr> <td>record/playback head</td> <td>pinch roller</td> </tr> <tr> <td>erase head</td> <td>rubber belts</td> </tr> <tr> <td>capstan</td> <td></td> </tr> </table> 2. Demagnetize the record/playback head with a head demagnetizer. | record/playback head | pinch roller | erase head | rubber belts | capstan | | <ol style="list-style-type: none"> 3. Do not use a magnetized screwdriver for the adjustments. 4. After the adjustments, apply suitable locking compound to the parts adjusted. 5. The adjustments should be performed with the rated power supply voltage unless otherwise noted. |
| record/playback head | pinch roller | | | | | | |
| erase head | rubber belts | | | | | | |
| capstan | | | | | | | |

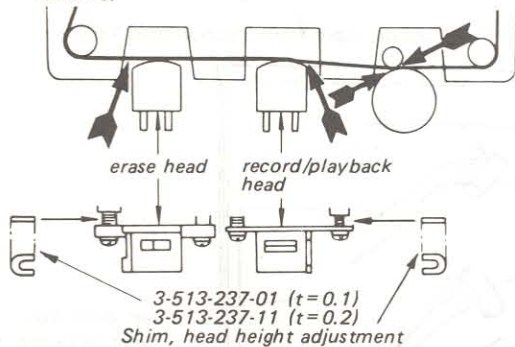
Head Height Adjustment

1. Prepare an adjustment cassette as shown below, or mirror cassette.



C-120 tape cassette
Cut out hatched portions.

2. In playback mode and viewing from the front, adjust the head heights to eliminate tape curl and tape twist at the portions shown by the arrows.



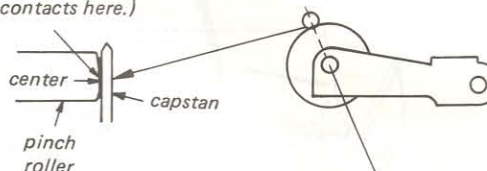
Torque Measurement

Torque	Torque meter	Meter reading
Forward	CQ-102C	28 – 60 g-cm (0.41 – 0.8 oz-inch)
Back Tension	CQ-102C	2.5 – 6 g-cm (0.03 – 0.08 oz-inch)
Fast Forward and Rewind	CQ-201B	80 – 150 g-cm (1.1 – 2.0 oz-inch)

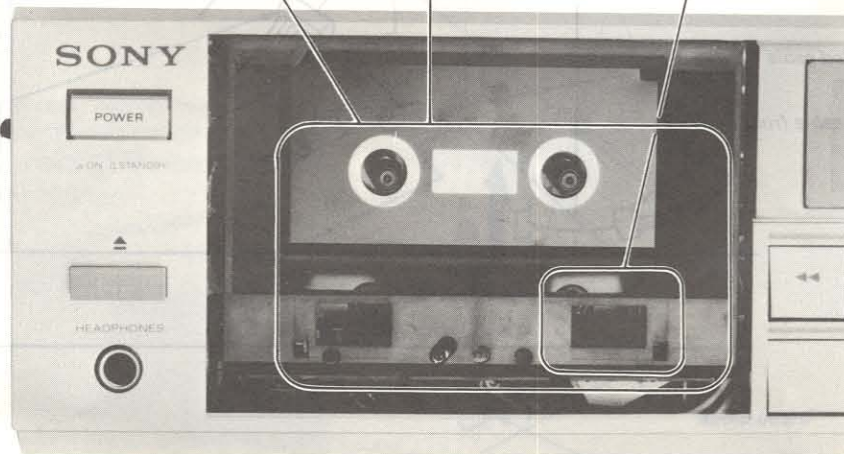
Pinch Roller Pressure Measurement

– Playback Mode –

- ② Slowly return the pinch roller and read the spring scale just when the pinch roller starts rotating. (The capstan should first contacts here.)



① tension gauge
200–300 g-cm
(2.77–4.16 oz-inch)



3-2. ELECTRICAL ADJUSTMENTS

Note: The adjustment should be performed in the order given in this service manual. The adjustments should be performed for both L-CH and R-CH.

- TAPE switches are automatically set according to the tape.

Tape	TAPE Indicator
CS-17	TYPE I : NORMAL
CS-26	TYPE II : CrO ₂
CS-40(CS-412)	TYPE IV : METAL

- Switches and controls should be set as follows unless otherwise specified.

DOLBY NR switch: OFF

- Standard Record:

Deliver the standard input signal level to the input jack and set the REC LEVEL control to obtain the standard output signal level.

Standard Input Level

	LINE IN
source impedance	10k Ω
input level	0.25V (-10dB)

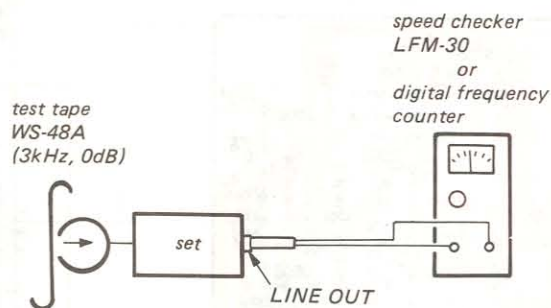
Standard Output Level

	LINE OUT
load impedance	47k Ω
output level	0.435V (-5dB)

Speed Adjustment

Procedure:

Mode: playback



Specification:

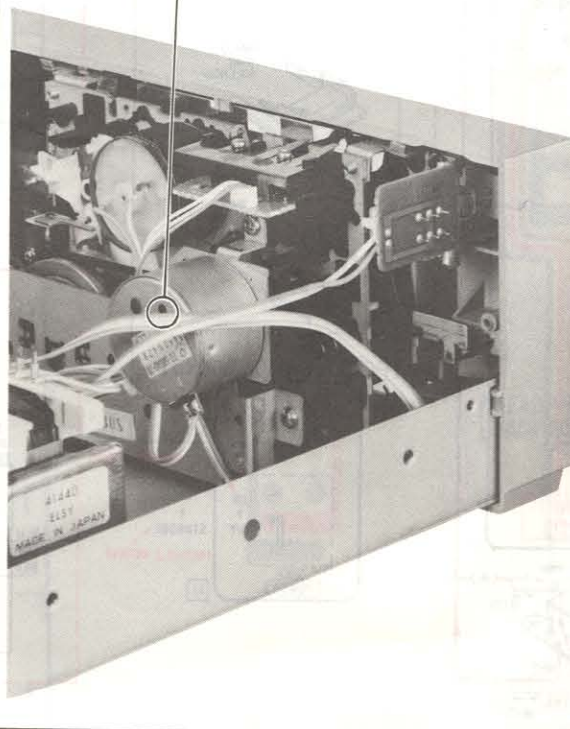
Speed checker	Digital frequency counter
-1 - +1%	2,970 - 3,030Hz

Frequency difference between the beginning and the end of the tape should be within 0.8% (25Hz).

Adjustment Location:

- capstan motor -

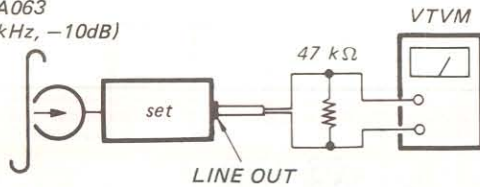
adjustment control inside motor



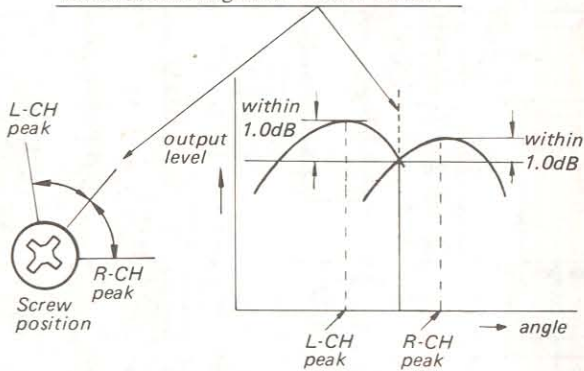
Record/playback Head Azimuth Adjustment Procedure:

1. Mode: playback

test tape
P-4-A063
(6.3kHz, -10dB)

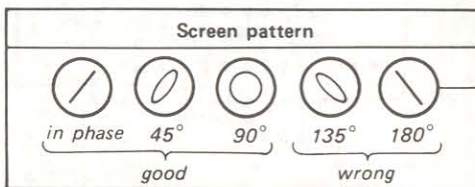
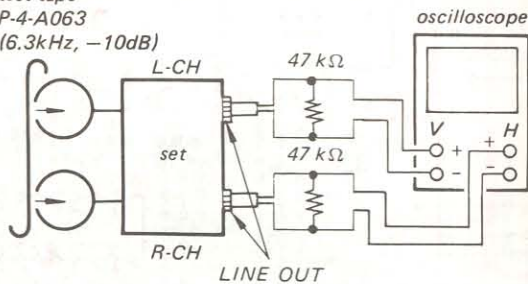


2. Turn the adjustment screw for the maximum output levels. If these levels do not match, turn the adjustment screw until both of output levels match together within 1.0dB.

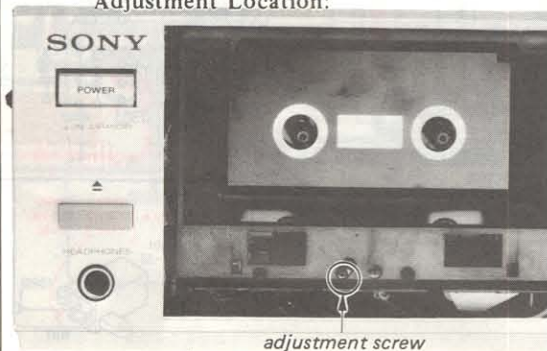


3. Phase Check
Mode: playback

test tape
P-4-A063
(6.3kHz, -10dB)



Adjustment Location:

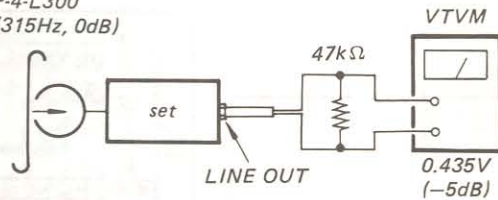


Playback Level Adjustment

Procedure:

Mode: playback

test tape
P-4-L300
(315Hz, 0dB)



Adjust RV104 (L-CH) and RV204 (R-CH).

Specification:

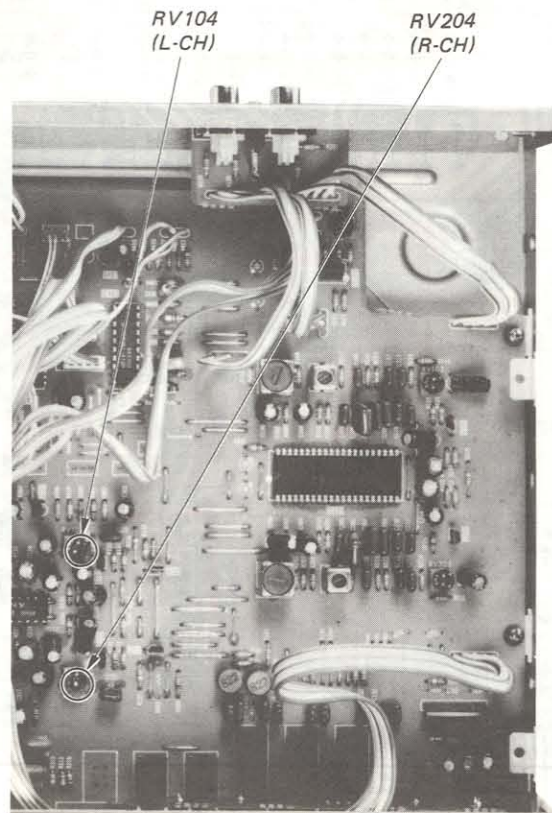
LINE OUT level: 0.46 – 0.42V
(-4.5 – -5.5dB)

Level difference between channels:
less than 0.5dB (0.05V)

Check that the LINE OUT level does not change in playback mode while changing the mode from playback to stop several times.

Adjustment Location:

– audio board –



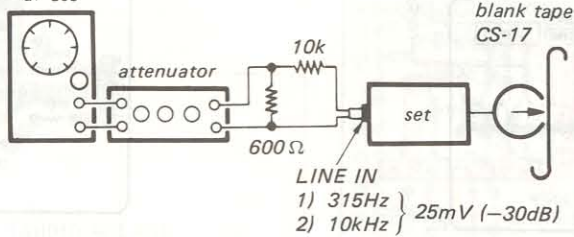
Record Bias Adjustment

Setting:

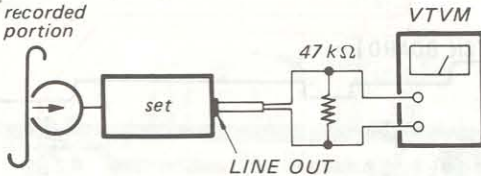
REC LEVEL control: standard record
(See page 11)

Procedure:

1. Mode: record
af osc



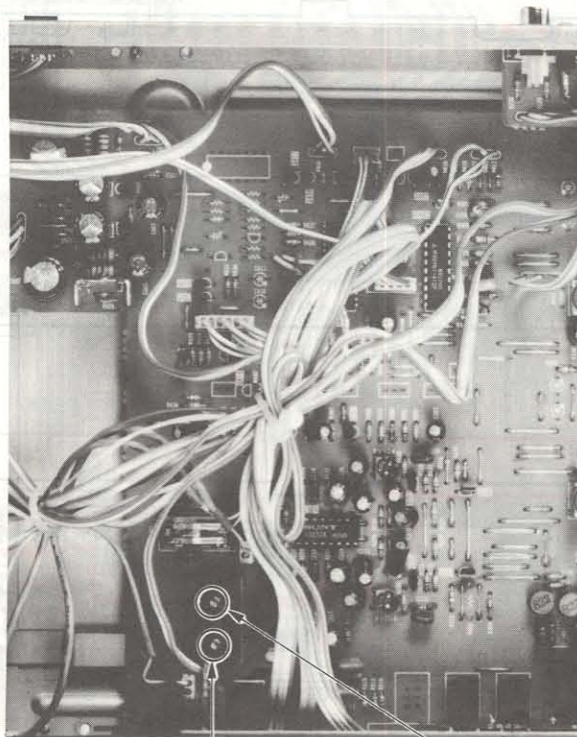
2. Mode: playback
recorded portion



ADjust CT101 (L-CH) and CT201 (R-CH) so that the LINE OUT level of 10kHz signal is 0dB ±0.5dB relative to that of 315Hz.

Adjustment Location:

— audio board —



CT 201 (RIGHT) CT101 (L-CH) CT 101 (LEFT) CT201 (R-CH)

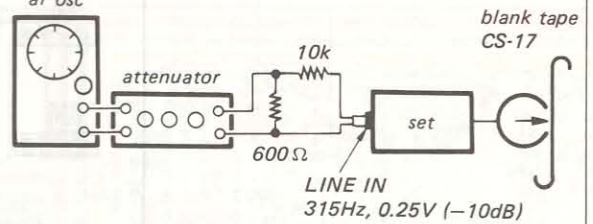
Record Level Adjustment

Setting:

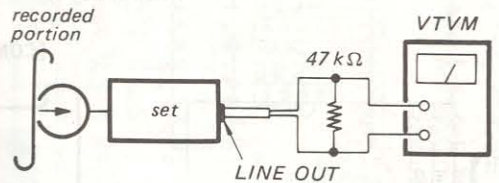
REC LEVEL control: standard record
(See page 11)

Procedure:

1. Mode: record
af osc



2. Mode: playback
recorded portion



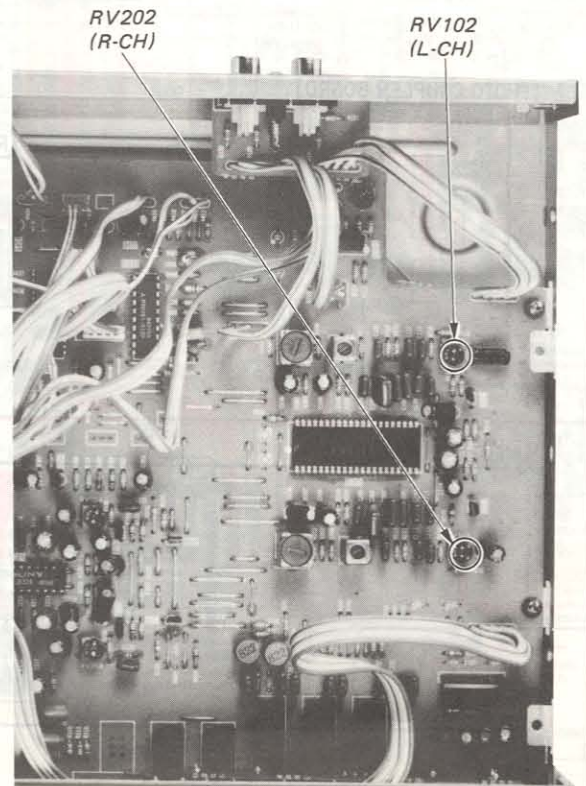
Adjust RV102 (L-CH) and RV202 (R-CH).

Specification:

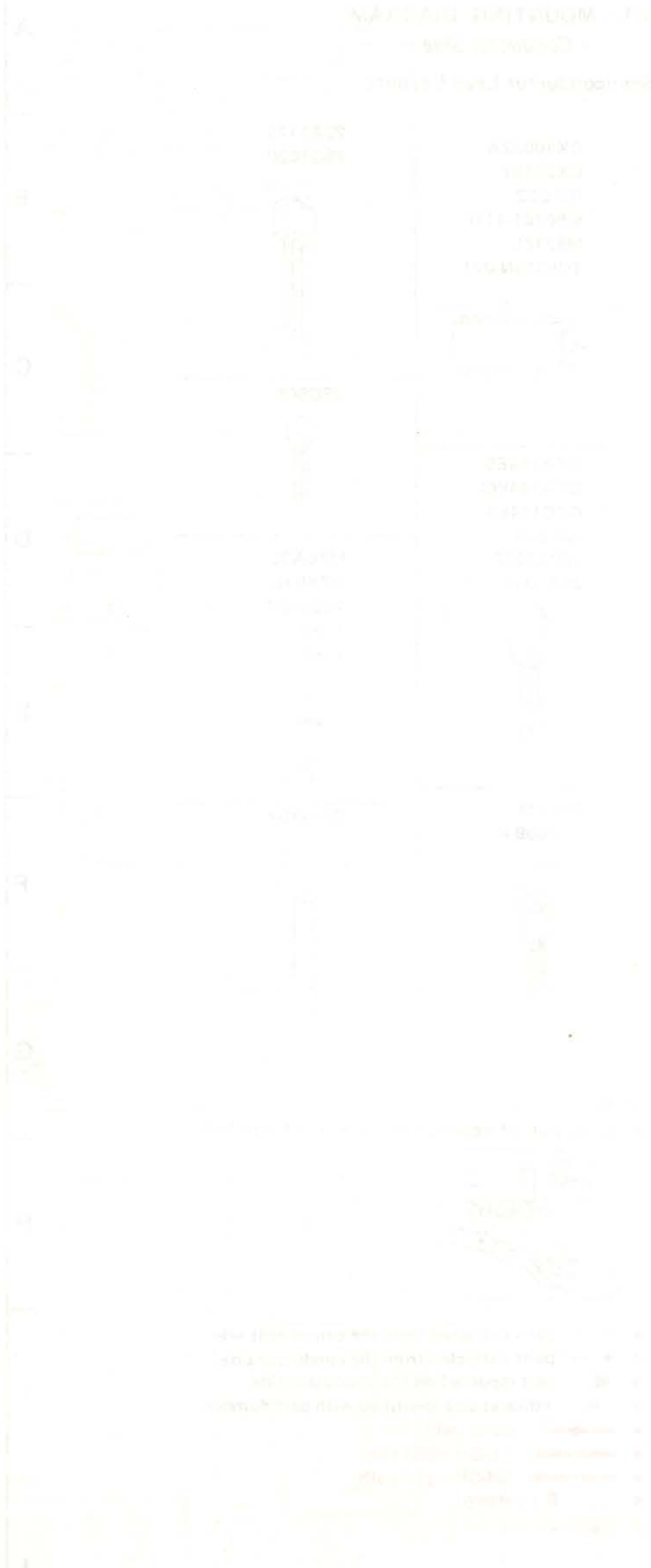
LINE OUT level: 0.46 – 0.42V
(-4.5 – -5.5dB)

Adjustment Location:

— audio board —



SECTION 4
DIAGRAMS

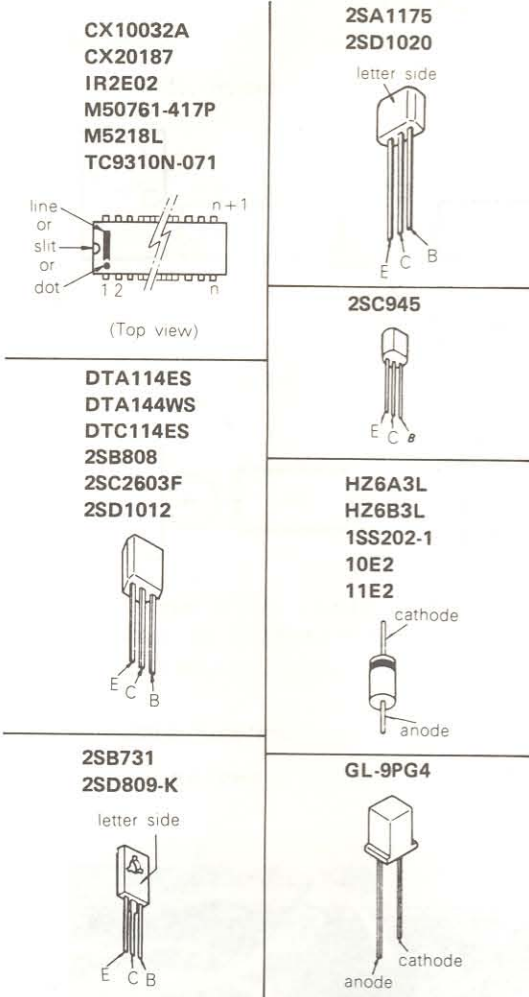


SECTION 4
DIAGRAMS

1 | 2 | 3

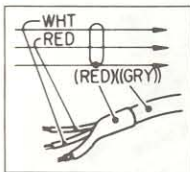
4-1. MOUNTING DIAGRAM
— Conductor Side —

Semiconductor Lead Layouts



Note:

- Color code of sleeving over the end of the jacket.



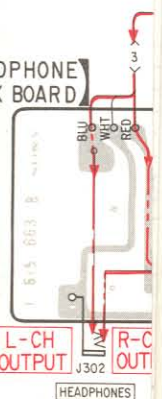
- — : parts extracted from the component side.
- — : parts extracted from the conductor side.
- : part mounted on the conductor side.
- — : indicates side identified with part number.
- : signal path
- (dashed) : L-CH signal path
- (dotted) : R-CH signal path
- ▨ : B + pattern
- ▩ : B - pattern

Q	
IC	
D	

DET BOA

A
B
C
D
E
F
G
H
I
J

HEADPHONE JACK BOARD



5

6

7

8

9

10

11

PI401

IC101

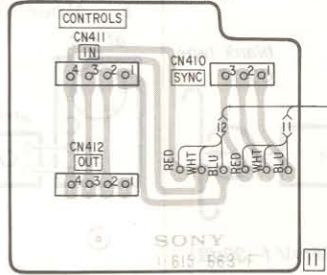
IC201

413
412
411

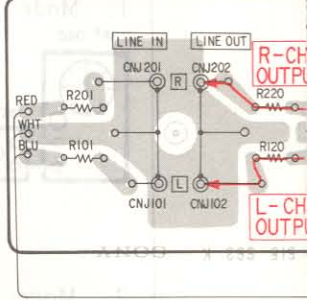
201
101

202
102

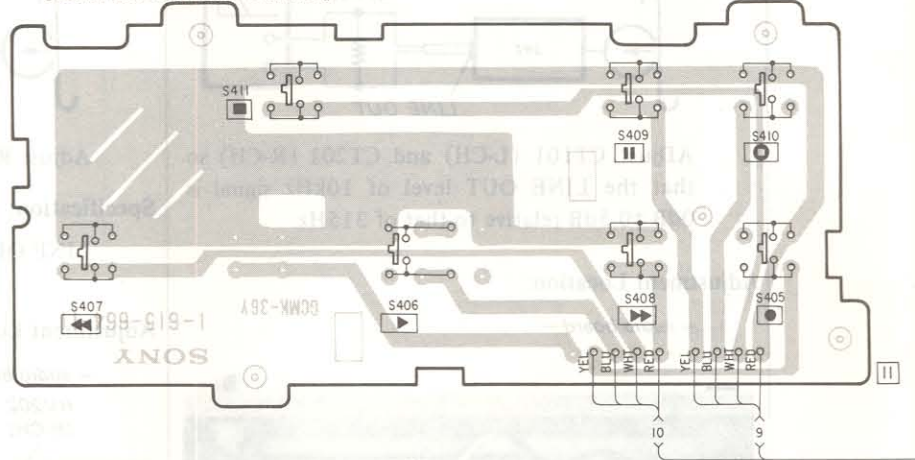
[REMOTE CONTROL BOARD]



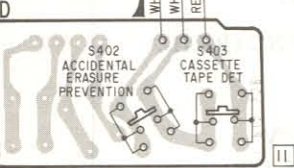
[PIN JACK BOARD]



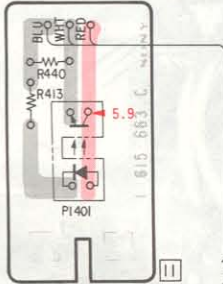
[CONTROL SWITCH BOARD]



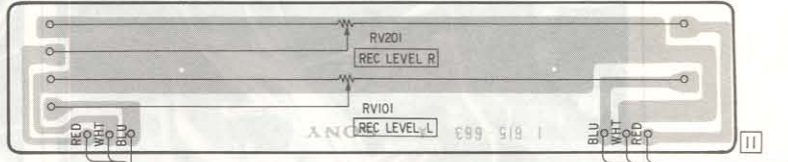
FUNCTION SWITCH



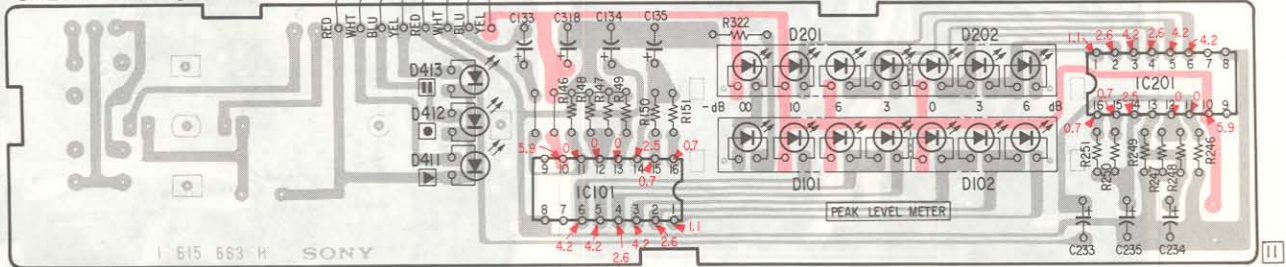
[PHOTO COUPLER BOARD]



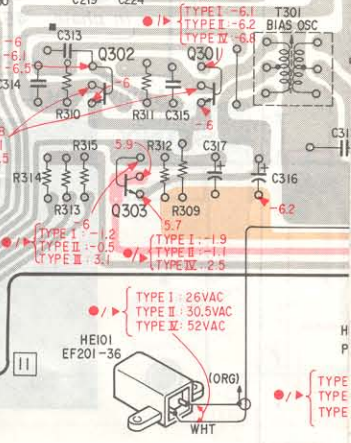
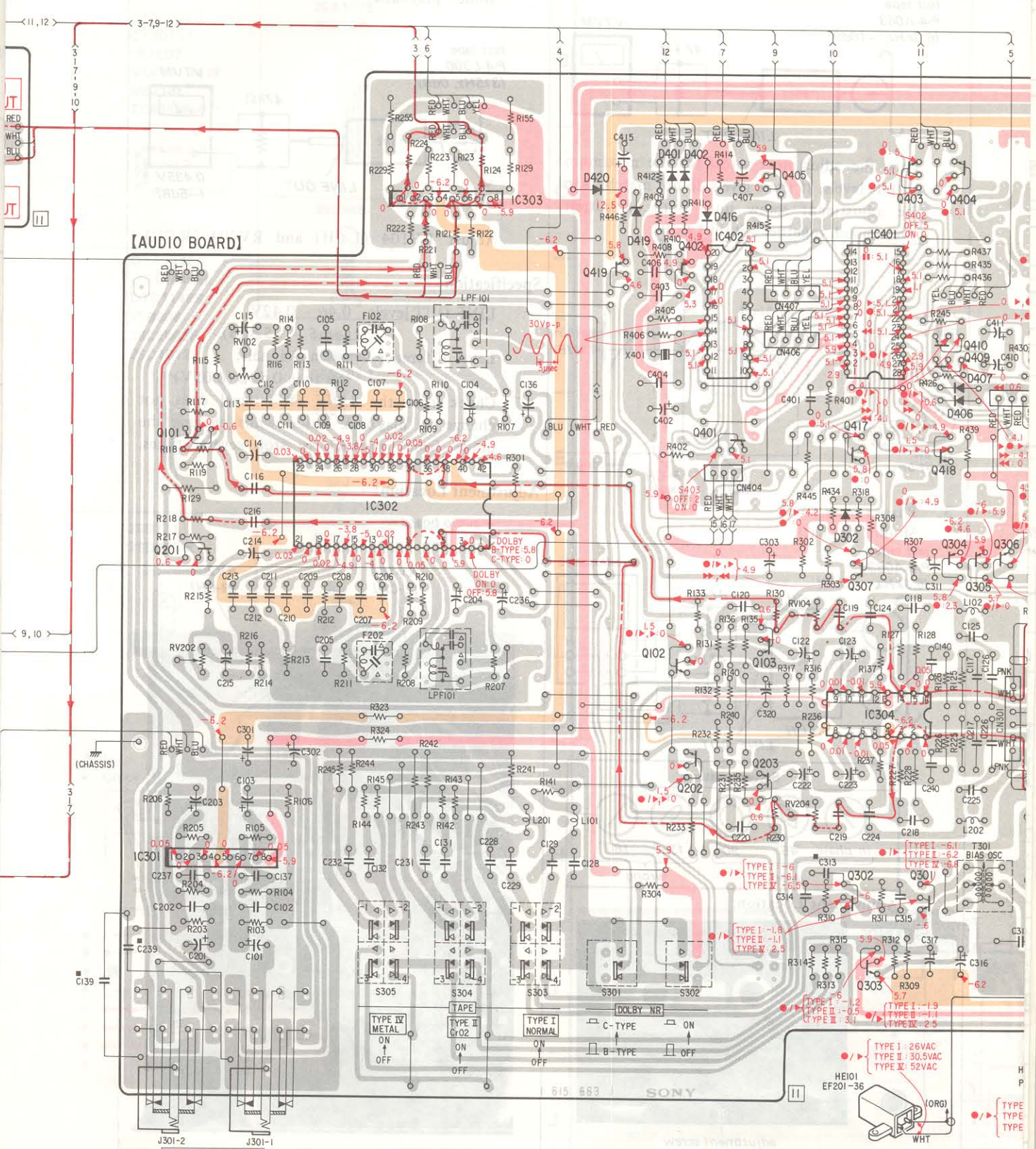
[REC VOL BOARD]



[METER BOARD]



IC301	IC302	IC303	419	402	IC402	405	IC401	403	404
201					401	103	417	418	410, 409
					102	203	IC304	304, 305, 306	
					420	419	302, 303, 301		
					416				407
							302		406



TC-FX320

20

21

22

23

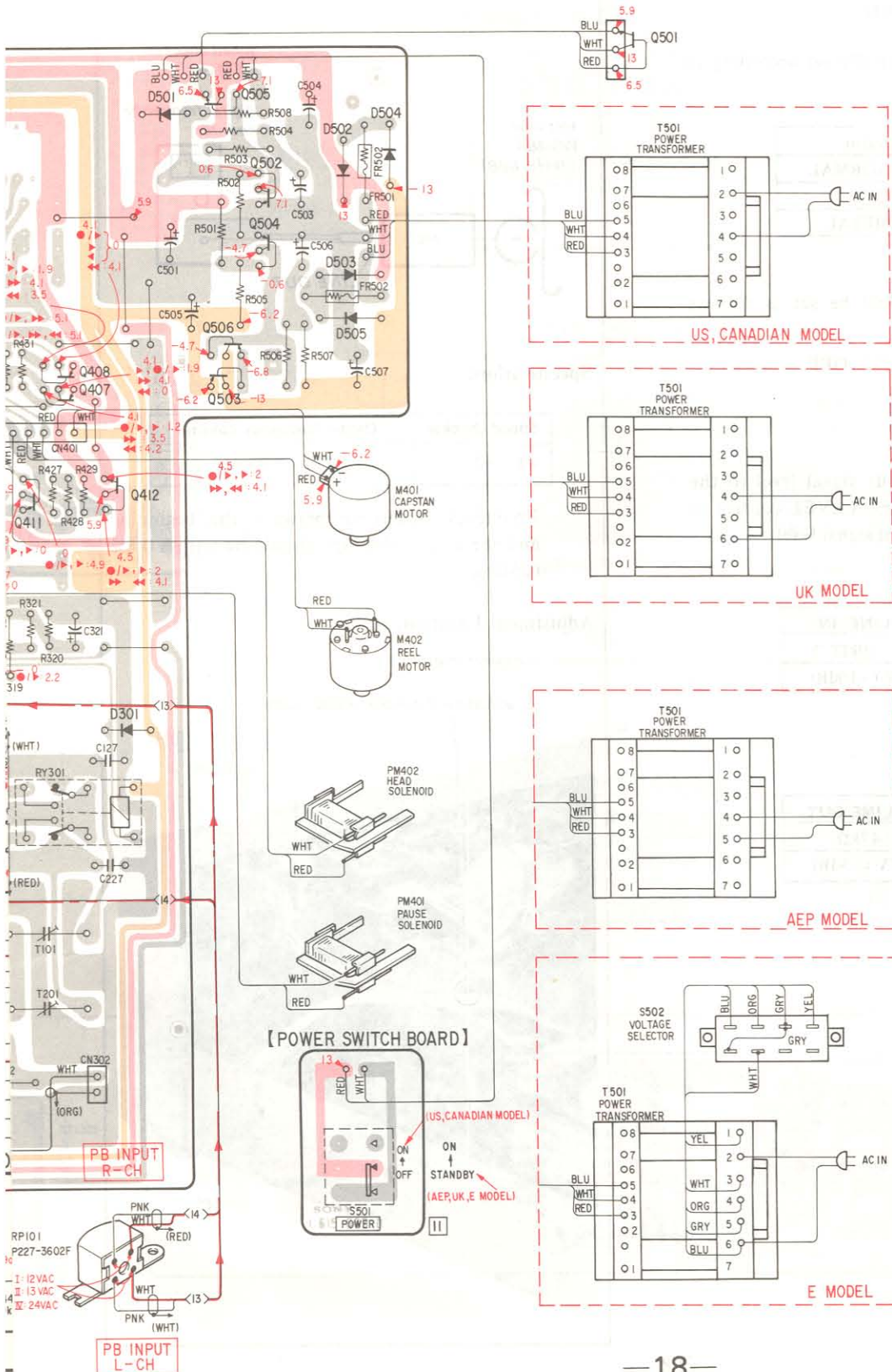
24

25

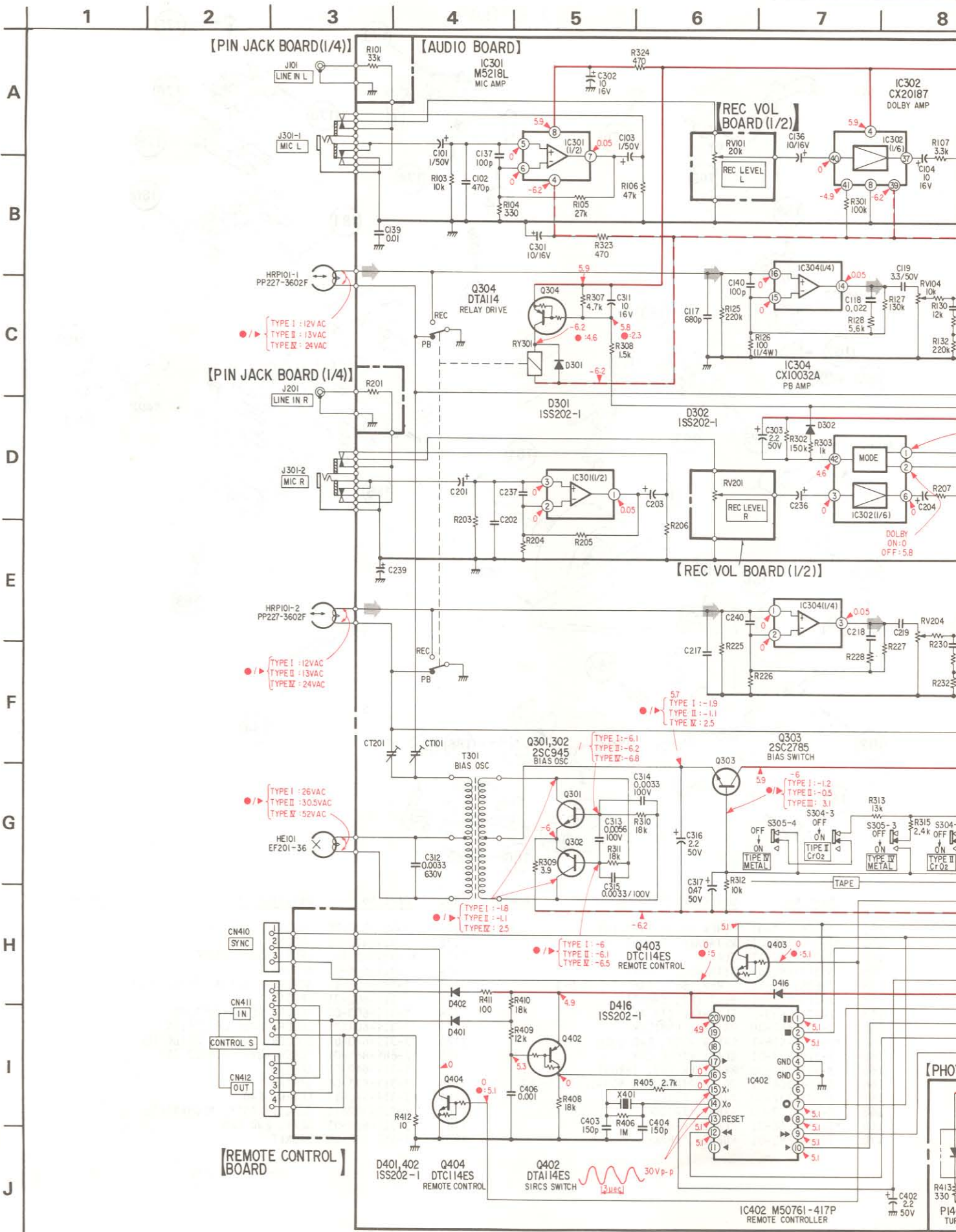
26

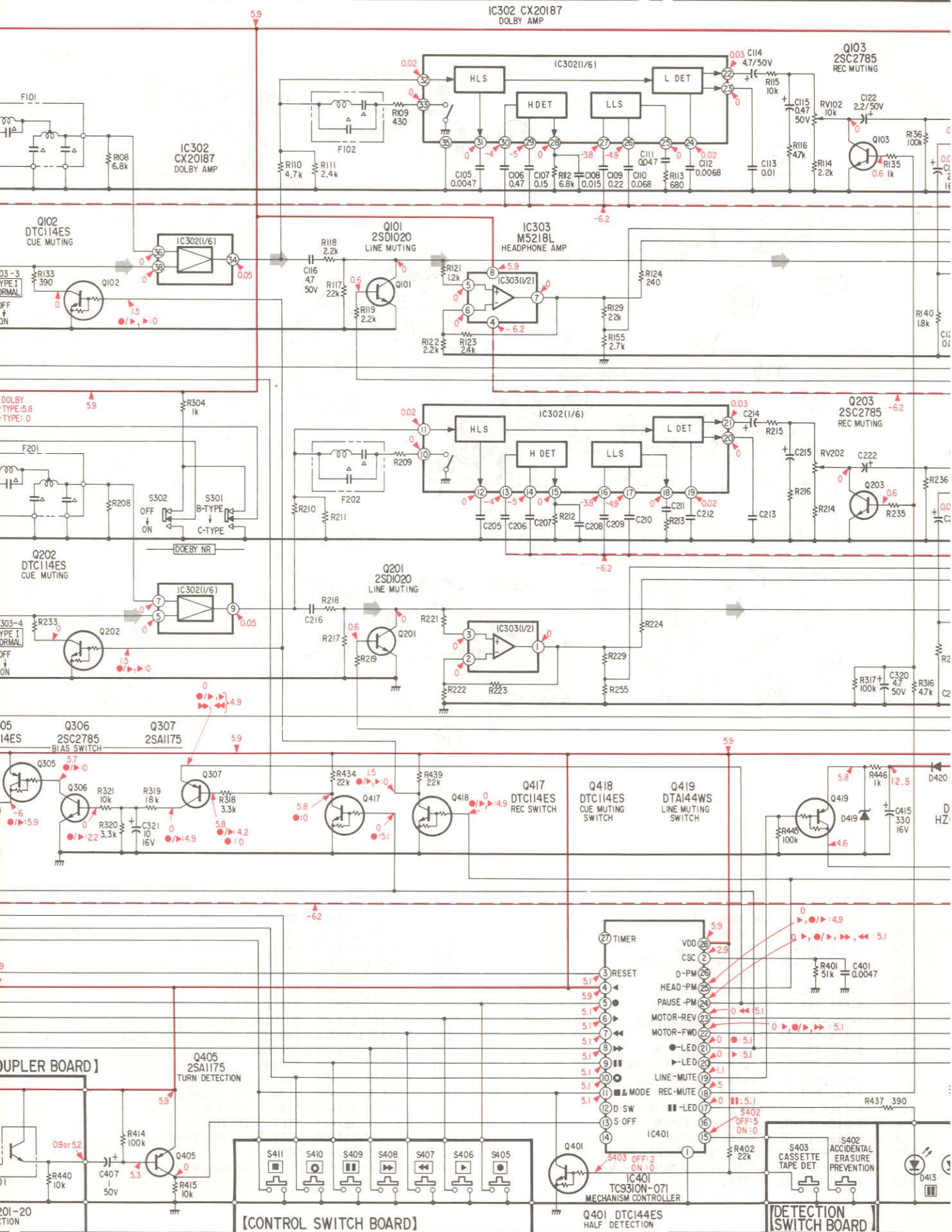
27

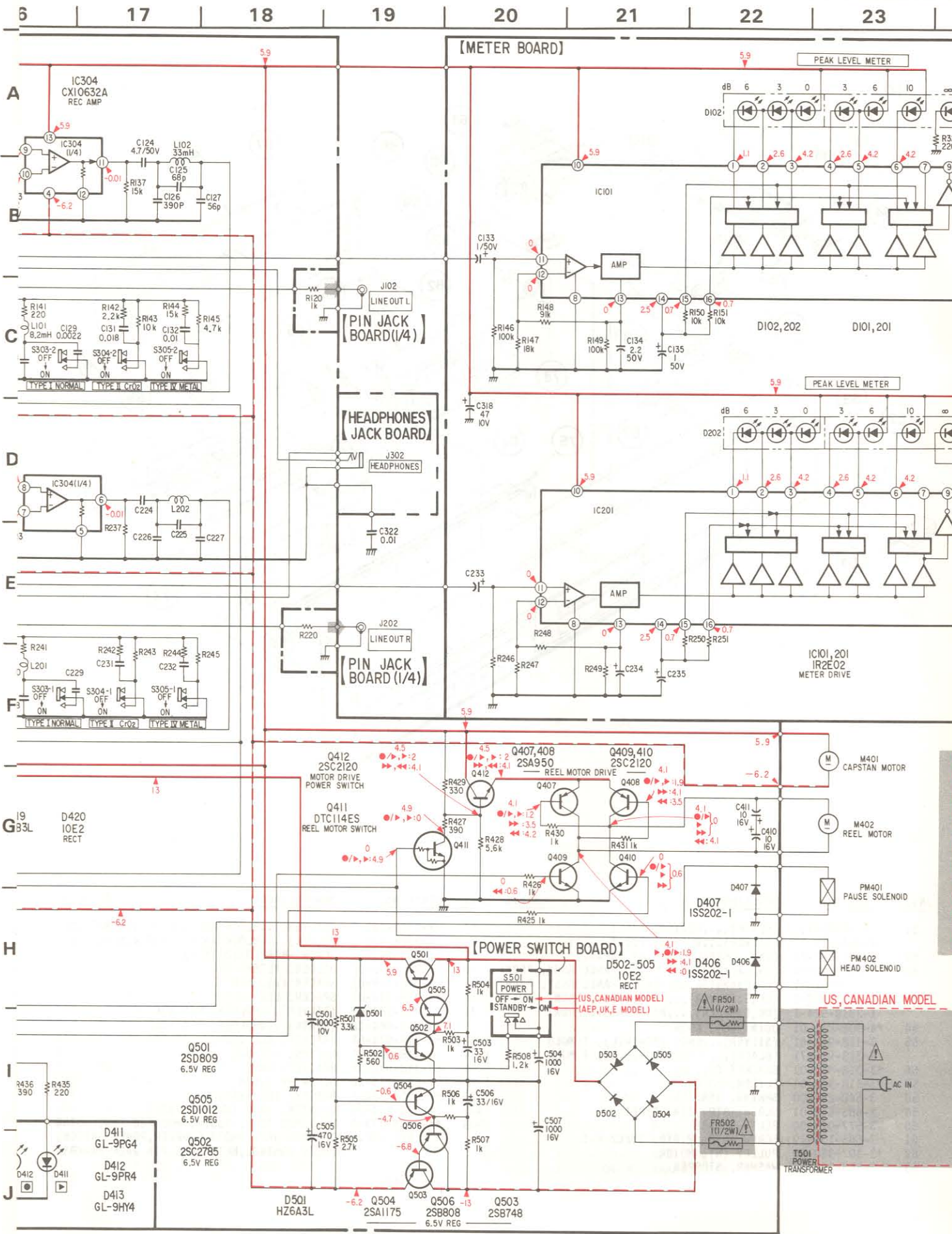
411	408,407 412	505 502 506 504 503	501	Q IC
	301	501	502 504 503 505	D



4-2. SCHEMATIC DIAGRAM

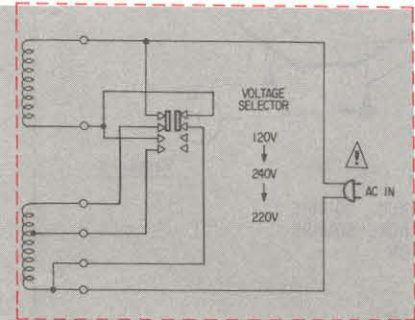




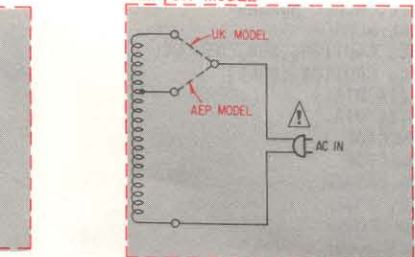




E MODEL



AEP, UK MODEL



A
B
C
D
E
F
G
H
I
J

Note:

- All capacitors are in μF unless otherwise noted. pF : $\mu\mu\text{F}$
50 WV or less are not indicated except for electrolytics and tantalums.
- All resistors are in Ω and $\frac{1}{4}\text{W}$ or less unless otherwise specified.
- : signal path.
- Components for right channel have same values as for left channel. Reference numbers are coded from 201.
- Δ : internal component.
- : fusible resistor.
- : B+ bus.
- : B- bus.
- : adjustment for repair.
- AC voltage readings in the bias oscillator with a VTVM.
- Voltages are dc with respect to ground unless otherwise noted.
- Readings are taken under no-signal (detuned) conditions with a VOM (50k Ω /V).
- : PLAY
 : FF
 : REW
 : STOP
 : RECORD
NO MARK : COMMON
- Waveforms are taken to ground by using oscilloscope. Voltage variations may be noted due to normal production tolerances.

Note: The components identified by shading and mark are critical for safety. Replace only with part number specified.

Note: Les composants identifiés par une trame et une marque sont critiques pour la sécurité. Ne les remplacer que par une pièce portant le numéro spécifié.

SECTION 5 EXPLODED VIEWS AND PARTS LIST

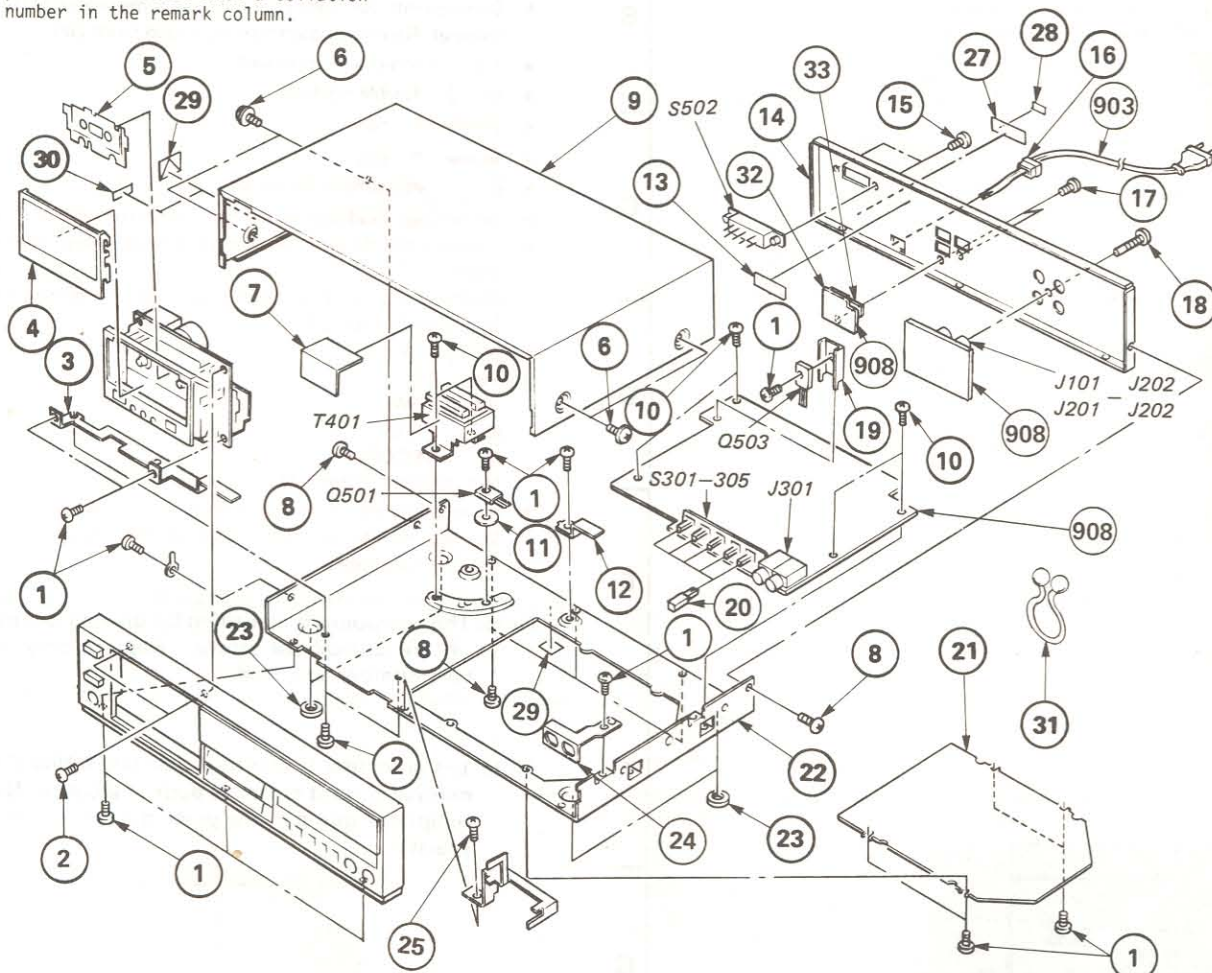
NOTE:

- The mechanical parts with no reference number in the exploded views are not supplied.
- Items marked " * " are not stocked since they are seldom required for routine service. Some delay should be anticipated when ordering these items.
- The construction parts of an assembled part are indicated with a collation number in the remark column.

The components identified by shading and mark **Δ** are critical for safety. Replace only with part number specified.

Les composants identifiés par une trame et une marque **Δ** sont critiques pour la sécurité. Ne les remplacer que par une pièce portant le numéro spécifié.

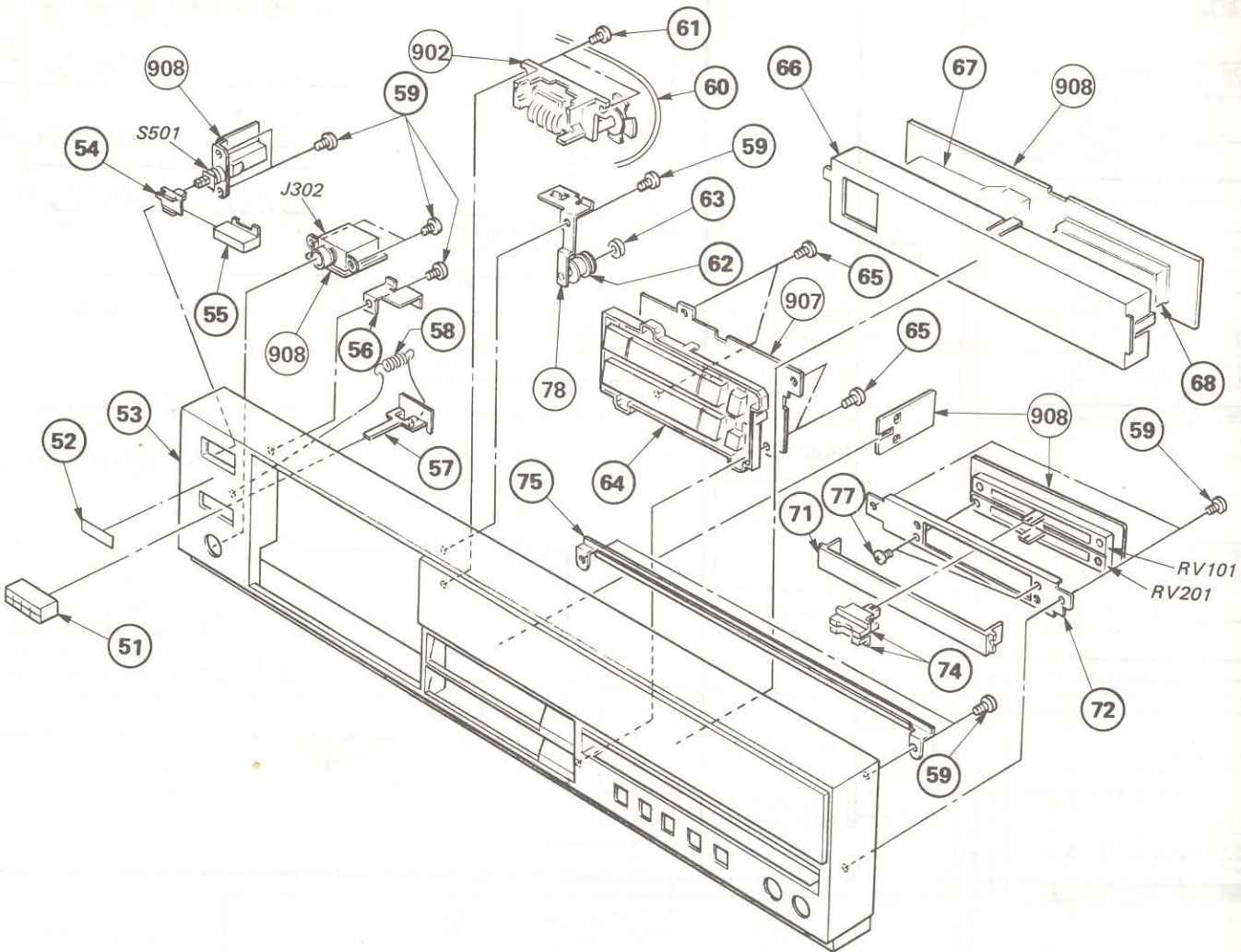
(1)



No.	Part No.	Description	Remarks	No.	Part No.	Description	Remarks
1	7-685-871-01	SCREW +BVTT 3X6 (S)		20	4-855-804-11	(BLACK)...KNOB, SQUARE	
2	7-685-751-09	SCREW +BVTT 3X6 (S)		21	4-855-804-51	(GRY).....KNOB, SQUARE	
3	*3-318-975-01	BRACKET (A), MD		22	*3-318-946-01	PLATE, BOTTOM	
4	X-3318-919-1	(SILVER)...LID ASSY, CASSETTE		23	*3-318-948-13	CHASSIS	
	X-3318-920-1	(BLACK)...LID ASSY, CASSETTE		24	3-576-731-00	FELT (H)	
5	3-313-292-21	RETAINER, CASSETTE		25	*3-318-973-01	PLATE, SHIELD	
6	4-889-321-01	(SILVER)...SCREW		26	7-682-546-04	SCREW +BVTT 3X5 (S)	
	4-889-321-11	(BLACK)...SCREW		27	*3-318-969-01	RETAINER, PC BOARD	
7	9-911-863-XX	SHEET, INSULATING		28	*3-318-979-01	(AEP)...LABEL, MODEL NUMBER	
8	7-685-752-04	SCREW +BVTT 3X8 (S)		29	*3-318-981-01	(UK)...LABEL, MODEL NUMBER	
9	4-904-474-21	(SILVER)...CASE		30	*4-302-759-00	LABEL, SERIAL NUMBER	
	4-904-474-31	(BLACK)...CASE		31	*3-703-680-00	(US)...LABEL, CAUTION, SUB, NEW UL	
10	3-703-249-01	SCREW, S TIGHT, +PTTWH 3X6		32	3-703-079-21	(UK)...LABEL, CAUTION (BACK)	
11	3-572-365-11	SHEET, INSULATING (A)		33	3-315-159-01	PURSE LOCK (14 DIA.)	
12	*3-318-963-01	BRACKET, AUDIO PC BOARD		31	3-701-417-00	PURSE LOCK (11 DIA.)	
13	*3-701-030-00	LABEL, SERIAL NUMBER		32	*3-322-818-01	HOLDER, CONNECTOR	
14	*3-307-530-83	(E).....PLATE, JACK		33	*3-322-819-01	HOLDER, CONNECTOR	
	*3-307-530-73	(US,Canadian)...PLATE, JACK		903	Δ.1-551-472-00	(E).....CORD, POWER	
15	7-685-533-19	(E)...SCREW +BTP 2.6X6 TYPE 2 N-S			Δ.1-551-908-11	(AEP)...CORD, POWER	
16	3-703-571-00	(US,Canadian)...BUSHING (S)(4516), CORD			Δ.1-556-562-00	(UK)...CORD, POWER	
	3-703-244-00	(AEP,UK,E).....BUSHING (2104), CORD			Δ.1-551-628-00	(US,Canadian)...CORD, POWER	
17	7-685-133-19	SCREW +P 2.6X6 TYPE2 NON-SLIT		907	*1-615-664-11	PC BOARD, CONTROL SWITCH	
18	3-703-473-00	SCREW, TERMINAL		908	*A-2056-273-A	PC BOARD ASSY, AUDIO, MOUNTED (INCLUDING REC VOL, HEADPHONES JACK, PHOTO COUPLER, POWER SWITCH, REMOTE CONTROL, METER AND PIN JACK BOARDS)	
19	*3-312-615-11	HEAT SINK					

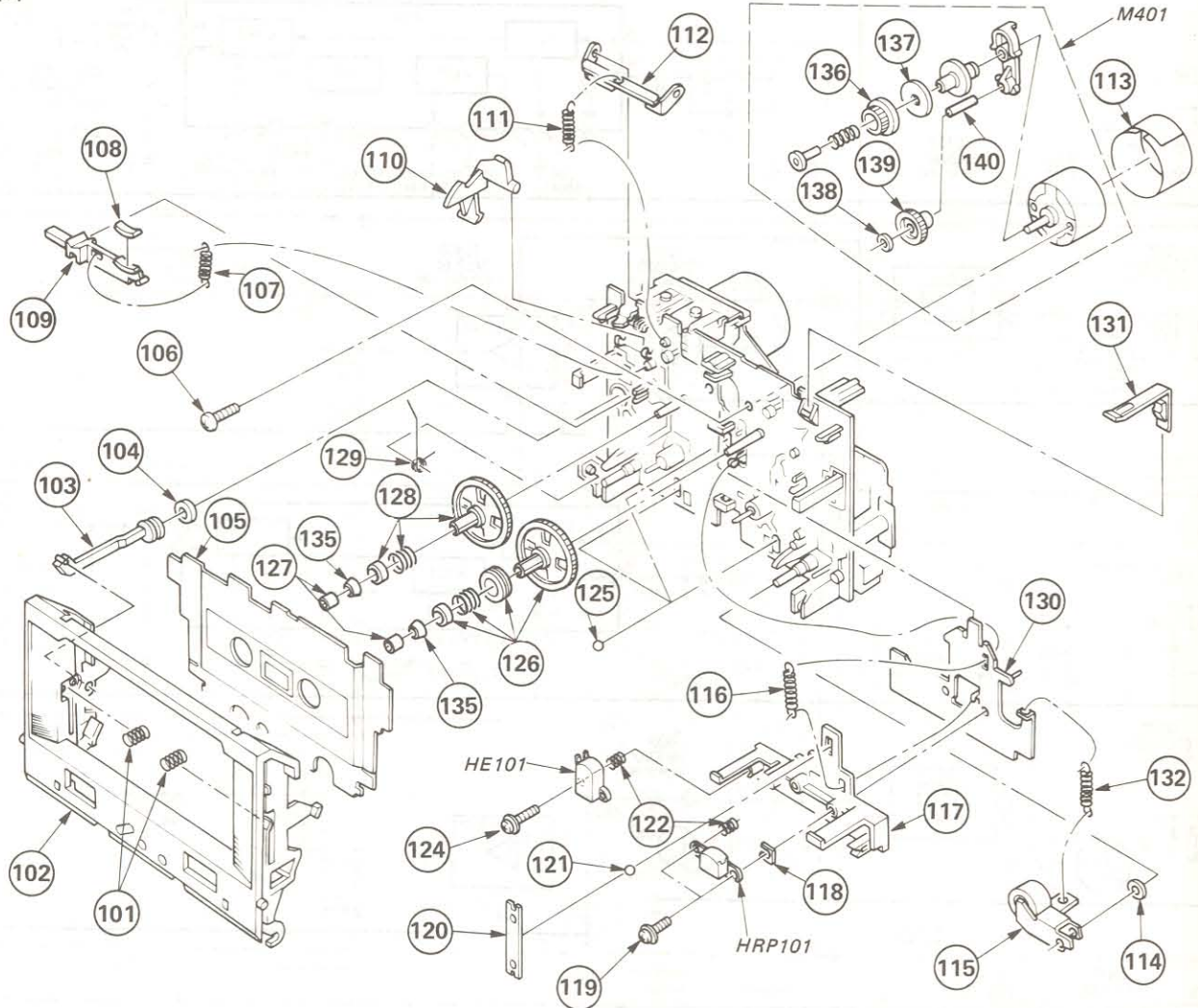
TC-FX320

(2)



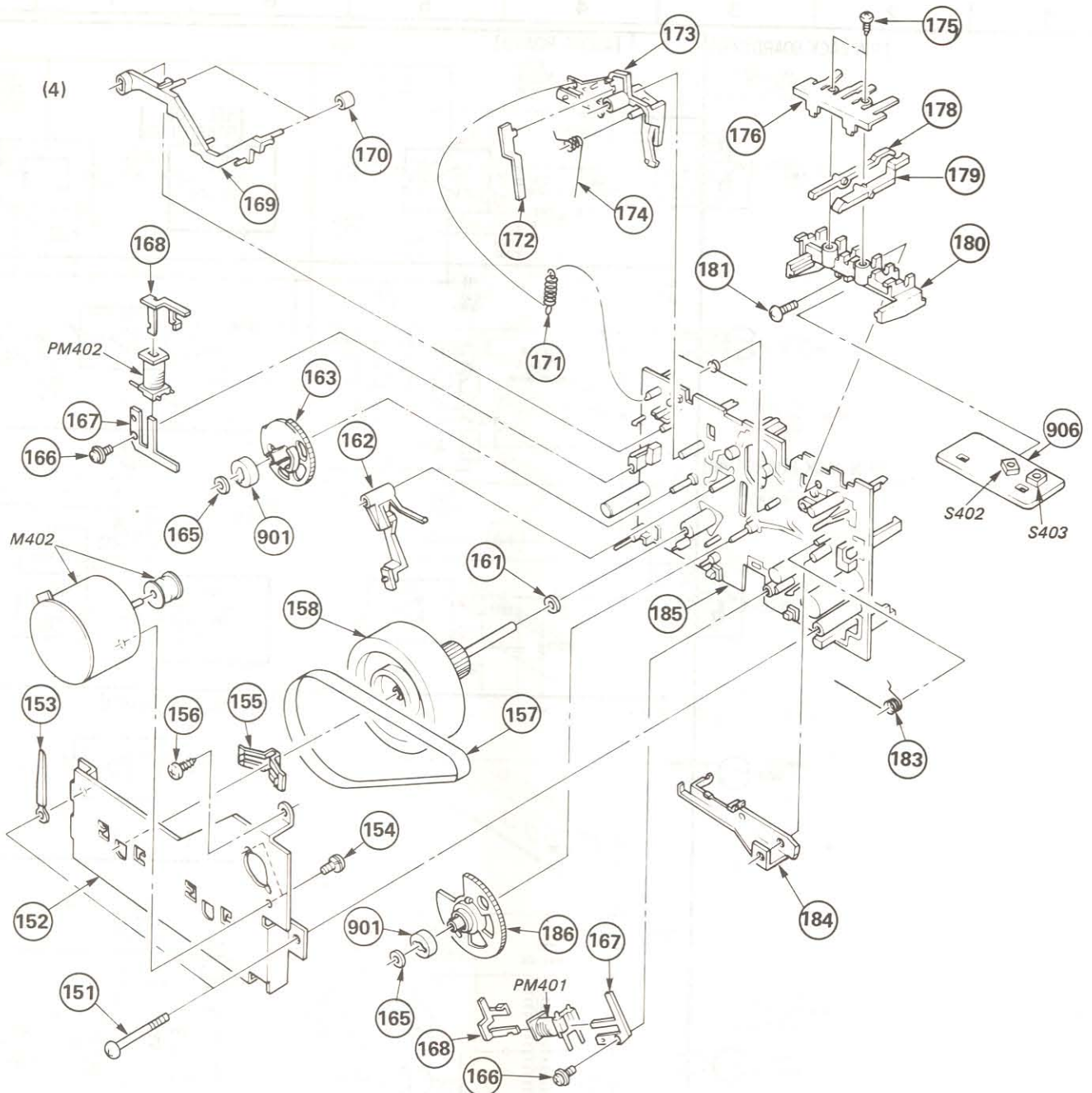
No.	Part No.	Description	Remarks	No.	Part No.	Description	Remarks
51	3-304-419-31	(BLACK)...BUTTON, EJECT		64	X-3318-921-1	(SILVER)...BLOCK ASSY, FUNCTION BUTTON	
	3-304-419-71	(SILVER)...BUTTON, EJECT			X-3318-922-1	(BLACK)...BLOCK ASSY, FUNCTION BUTTON	
52	3-701-690-11	(UK)...LABEL, MADE IN JAPAN		65	7-685-547-01	SCREW +BTP 3X10 TYPE1	
53	X-3318-925-1	(US,Canadian:BLACK)...PANEL ASSY, FRONT		66	3-318-978-01	HOLDER, METER	
	X-3318-926-1	(US,Canadian:SILVER)...PANEL ASSY, FRONT		67	3-318-989-01	SPACER (B), LED	
	X-3318-923-1	(UK,E:SILVER)...PANEL ASSY, FRONT		68	*3-318-941-01	SPACER, LED	
	X-3318-924-1	(UK,E:BLACK)...PANEL ASSY, FRONT		71	3-318-964-02	(SILVER)...HOLDER, REC VOL	
54	*4-902-831-01	JOINT (G), KNOB			3-318-964-12	(BLACK)...HOLDER, REC VOL	
55	3-318-911-61	(SILVER)...KNOB (POWER.L), T MOLD		72	*3-318-974-01	BRACKET, REC VOL	
	3-318-911-71	(BLACK)...KNOB (POWER.L), T MOLD		74	3-318-986-01	BUTTON, REC VOL	
56	*3-318-967-01	BRACKET (B), MD		75	*3-318-976-01	BRACKET, CASE	
57	*3-318-962-01	SLIDER, EJECT		77	7-621-775-10	SCREW +B 2.6X4	
58	3-540-244-00	SPRING, TENSION		78	*X-3318-910-1	BRACKET (C) ASSY, MD	
59	7-685-546-01	SCREW +BTP 3X8 TYPE1		902	1-548-574-31	COUNTER, TAPE (NORMAL TYPE)	
60	3-577-029-00	BELT, SQUARE		908	*A-2056-273-A	PC BOARD ASSY, AUDIO, MOUNTED (INCLUDING REC VOL, HEADPHONES JACK, PHOTO COUPLER, POWER SWITCH, REMOTE CONTROL, METER AND PIN JACK BOARDS)	
61	7-685-134-19	SCREW +BTP 2.6X8 TYPE2 N-S					
62	*3-307-350-00	PULLEY (N), MOTOR					
63	3-558-708-11	WASHER, STOPPER					

(3)



No.	Part No.	Description	Remarks	No.	Part No.	Description	Remarks
102	3-319-682-01	HOLDER, CASSETTE		120	*3-319-601-11	SPRING	
103	3-319-613-01	PISTON (B)		121	7-671-112-11	BALL, STEEL	
104	3-312-441-00	RING, PISTON		122	3-319-712-01	SPRING, COMPRESSION	
105	3-313-292-21	RETAINER, CASSETTE		123	*X-3319-624-1	CHASSIS (S) ASSY, HEAD	
106	7-621-775-60	SCREW +B 2.6X12		124	3-703-496-00	SCREW + PWH2X14	
107	3-319-694-01	SPRING, TENSION		125	7-671-112-01	BALL, STEEL	
108	3-575-346-01	FELT, BRAKE		126	X-3319-626-1	TABLE (L) ASSY, REEL	
109	*3-319-611-01	LEVER (LEFT), BACK TENSION		127	3-319-607-01	BUSHING, REEL TABLE	
110	3-319-669-01	LEVER, EJECT		128	X-3319-627-1	TABLE (L) (CB) ASSY, REEL	
111	3-312-432-00	SPRING, TENSION		129	3-319-614-01	SPRING	
112	*3-319-709-01	LEVER (B), LIFT, SWITCH		131	3-319-717-01	SPRING	
113	3-575-457-00	PLATE (B), SHIELD, MOTOR		132	3-319-711-01	SPRING, TENSION	
114	7-623-924-11	WASHER 3.0, NYLONE		135	3-531-760-00	CLAW, REEL SPINDLE	
115	X-3319-625-1	PINCH LEVER ASSY		136	3-575-324-00	GEAR, LIMITER	
116	3-319-713-01	SPRING, TENSION		137	3-564-027-11	FELT, LIMITER	
117	3-319-715-01	BRACKET, HEAD		138	3-307-394-00	RETAINER (B), THRUST	
118	3-319-718-01	SHIM, ADJUSTMENT, HEAD		139	3-575-332-00	GEAR, FR	
	3-319-718-11	SHIM, ADJUSTMENT, HEAD		140	3-575-304-00	SHAFT, GEAR, FR	
119	3-319-719-01	SCREW, TOOTHED LOCK (+- 2X13)					

TC-FX320



No.	Part No.	Description	Remarks	No.	Part No.	Description	Remarks
151	7-685-879-01	SCREW +BVTT 3X30 (S)		171	3-555-124-00	SPRING, TENSION	
152	*3-319-665-01	RETAINER, THRUST		172	3-319-612-01	SPRING	
153	3-703-150-11	CLAMP		173	*X-3319-614-1	LEVER ASSY, PAUSE	
155	3-319-608-01	RETAINER, THRUST		174	3-319-606-01	SPRING	
156	7-685-645-11	SCREW +BVTP 3X6 TYPE2 N-S		175	7-685-131-21	SCREW +P 2.6X4 TYPE2 SLIT	
157	3-319-710-01	BELT (R), CAPSTAN		176	3-319-602-01	SPRING	
158	X-3319-630-	FLYWHEEL (T) ASSY		178	3-319-603-01	LEVER, REC DETECTION	
161	3-307-482-00	WASHER, LUMILER		179	3-319-604-01	LEVER, HALF DETECTION	
162	*X-3319-615-1	LEVER ASSY, FWD LOCK		180	3-319-670-01	HOLDER, SWITCH, DETECTION	
163	3-319-688-01	GEAR, PAUSE CAM		181	7-685-865-01	SCREW +BVTT 2.6X12 (S)	
165	3-307-394-00	RETAINER (B), THRUST		182	3-319-649-01	SPRING	
166	7-687-204-21	TOTSU PTPWH 2X6 NON-SLIT, TYPE2		183	3-319-633-01	SPRING	
167	3-307-332-00	ARBOR, FIXED		184	*3-319-676-11	LEVER, FWD	
168	3-307-333-00	ARBOR, TRIGGER		185	X-3319-628-1	CHASSIS ASSY, MECHANICAL	
169	*3-319-668-01	PLATE, BRAKE		186	3-319-689-01	GEAR, FWD CAM	
170	3-319-662-01	RUBBER, BRAKE		901	1-452-202-00	MAGNET	

SECTION 6
ELECTRICAL PARTS LIST

NOTE:

- Items marked " * " are not stocked since they are seldom required for routine service. Some delay should be anticipated when ordering these items.
- If there are two or more same circuits in a set such as a stereophonic machine, only typical circuit parts may be indicated and capacitors and resistors in other same circuits may be omitted.

CAPACITORS:

MF:μF, PF:μμF.

RESISTORS

- All resistors are in ohms.
- F : nonflammable

COILS

• MMH : mH, UH : μH

SEMICONDUCTORS

In each case, U : μ, for example:

UA...: μA..., UPA...: μPA..., UPC...: μPC,
UPD...: μPD...

The components identified by shading and mark Δ are critical for safety. Replace only with part number specified.

Les composants identifiés par une trame et une marque Δ sont critiques pour la sécurité. Ne les remplacer que par une pièce portant le numéro spécifié.

ELECTRICAL PARTS

Ref.No.	Part No.	Description				
901	1-452-202-00	MAGNET				
902	1-548-574-31	COUNTER, TAPE (NORMAL TYPE)				
903	Δ .1-551-472-00	(E)...CORD, POWER				
	Δ .1-551-908-11	(AEP)...CORD, POWER				
	Δ .1-556-562-00	(UK)...CORD, POWER				
	Δ .1-551-628-00	(US,Canadian)...CORD, POWER				
907	*1-615-664-11	PC BOARD, CONTROL SWITCH				
908	*A-2056-273-A	PC BOARD ASSY, AUDIO, MOUNTED (INCLUDING REC VOL, HEADPHONES JACK, PHOTO COUPLER, POWER SWITCH, REMOTE CONTROL, METER AND PIN JACK BOARDS)				
C101	1-123-380-00	ELECT	1MF	20%	50V	
C102	1-162-290-31	CERAMIC	470PF	10%	50V	
C103	1-123-380-00	ELECT	1MF	20%	50V	
C104	1-123-356-00	ELECT	10MF	20%	16V	
C105	1-110-203-00	MYLAR	0.0047MF	5%	50V	
C106	1-136-173-00	FILM	0.47MF	5%	50V	
C107	1-136-167-00	FILM	0.15MF	5%	50V	
C108	1-136-155-00	FILM	0.015MF	5%	50V	
C109	1-136-169-00	FILM	0.22MF	5%	50V	
C110	1-136-163-00	FILM	0.068MF	5%	50V	
C111	1-136-161-00	FILM	0.047MF	5%	50V	
C112	1-110-205-00	MYLAR	0.0068MF	5%	50V	
C113	1-136-153-00	FILM	0.01MF	5%	50V	
C114	1-123-369-00	ELECT	4.7MF	20%	50V	
C115	1-123-379-00	ELECT	0.47MF	20%	50V	
C116	1-124-185-00	ELECT	4.7MF	20%	50V	
C117	1-161-321-00	CERAMIC	680PF	10%	50V	
C118	1-136-157-00	FILM	0.022MF	5%	50V	
C119	1-124-184-00	ELECT	3.3MF	20%	50V	
C120	1-110-203-00	MYLAR	0.0047MF	5%	50V	
C122	1-123-381-00	ELECT	2.2MF	20%	50V	
C123	1-123-330-00	ELECT	22MF	20%	16V	
C124	1-124-185-00	ELECT	4.7MF	20%	50V	
C125	1-107-036-00	MICA	68PF	5%	500V	
C126	1-161-318-00	CERAMIC	390PF	10%	50V	
C127	1-107-165-00	MICA	56PF	5%	500V	
C128	1-136-153-00	FILM	0.01MF	5%	50V	
C129	1-110-199-00	MYLAR	0.0022MF	5%	50V	
C131	1-136-156-00	FILM	0.018MF	5%	50V	
C132	1-136-153-00	FILM	0.01MF	5%	50V	
C133	1-123-380-00	ELECT	1MF	20%	50V	
C134	1-123-381-00	ELECT	2.2MF	20%	50V	
C135	1-123-380-00	ELECT	1MF	20%	50V	
C136	1-123-356-00	ELECT	10MF	20%	16V	
C137	1-162-282-31	CERAMIC	100PF	10%	50V	
C139	1-161-330-00	CERAMIC	0.01MF	30%	25V	

ELECTRICAL PARTS

Ref.No.	Part No.	Description				
C140	1-162-282-31	CERAMIC	100PF	10%	50V	
C301	1-123-356-00	ELECT	10MF	20%	16V	
C302	1-123-356-00	ELECT	10MF	20%	16V	
C303	1-123-381-00	ELECT	2.2MF	20%	50V	
C311	1-123-356-00	ELECT	10MF	20%	16V	
C312	1-129-708-00	FILM	0.0033MF	10%	630V	
C313	1-130-291-00	FILM	0.0056MF	5%	100V	
C314	1-130-285-00	FILM	0.0033MF	5%	100V	
C315	1-130-285-00	FILM	0.0033MF	5%	100V	
C316	1-123-381-00	ELECT	2.2MF	20%	50V	
C317	1-123-379-00	ELECT	0.47MF	20%	50V	
C318	1-123-306-00	ELECT	47MF	20%	10V	
C320	1-123-369-00	ELECT	4.7MF	20%	50V	
C321	1-123-356-00	ELECT	10MF	20%	16V	
C322	1-161-330-00	CERAMIC	0.01MF	30%	25V	
C324	1-162-113-00	CERAMIC	0.01MF	30%	16V	
C401	1-110-203-00	MYLAR	0.0047MF	5%	50V	
C402	1-123-381-00	ELECT	2.2MF	20%	50V	
C403	1-162-284-31	CERAMIC	150PF	10%	50V	
C404	1-162-284-31	CERAMIC	150PF	10%	50V	
C406	1-162-294-31	CERAMIC	0.001MF	10%	50V	
C407	1-123-380-00	ELECT	1MF	20%	50V	
C410	1-123-356-00	ELECT	10MF	20%	16V	
C411	1-123-356-00	ELECT	10MF	20%	16V	
C415	1-123-322-00	ELECT	330MF	20%	16V	
C416	1-162-113-00	CERAMIC	0.01MF	30%	16V	
C417	1-162-113-00	CERAMIC	0.01MF	30%	16V	
C418	1-162-113-00	CERAMIC	0.01MF	30%	16V	
C501	1-123-311-00	ELECT	1000MF	20%	10V	
C503	1-123-318-00	ELECT	33MF	20%	16V	
C504	1-123-324-00	ELECT	1000MF	20%	16V	
C505	1-123-310-00	ELECT	470MF	20%	10V	
C506	1-123-318-00	ELECT	33MF	20%	16V	
C507	1-123-324-00	ELECT	1000MF	20%	16V	
CN301	*1-564-509-11	PLUG, CONNECTOR 6P				
CN302	*1-564-505-11	PLUG, CONNECTOR 2P				
CN401	*1-564-511-11	PLUG, CONNECTOR 8P				
CN404	*1-564-337-00	PIN, CONNECTOR 3P				
CN406	*1-564-507-31	PLUG, CONNECTOR 4P				
CN407	*1-564-507-11	PLUG, CONNECTOR 4P				
CN410	*1-560-280-00	CONNECTOR PIN 3P				
CN411	*1-560-039-00	PIN, CONNECTOR				
CN412	*1-560-039-00	PIN, CONNECTOR				
CT101	1-141-225-00	CAP, TUNING, TRIMMER				
CT201	1-141-225-00	CAP, TUNING, TRIMMER				

TC-FX320

ELECTRICAL PARTS

Ref.No.	Part No.	Description
D101	1-806-967-11	DIODE (LED BLOCK)
D102	1-806-968-11	DIODE (LED BLOCK)
D201	1-806-967-11	DIODE (LED BLOCK)
D202	1-806-968-11	DIODE (LED BLOCK)
D301	8-719-107-94	DIODE 1SS202-1
D302	8-719-107-94	DIODE 1SS202-1
D401	8-719-107-94	DIODE 1SS202-1
D402	8-719-107-94	DIODE 1SS202-1
D406	8-719-107-94	DIODE 1SS202-1
D407	8-719-107-94	DIODE 1SS202-1
D411	8-719-915-51	DIODE GL-9PG4
D412	8-719-919-04	DIODE GL-9PR4
D413	8-719-915-50	DIODE GL-9HY4
D416	8-719-107-94	DIODE 1SS202-1
D419	8-719-910-66	DIODE HZ6B3L
D420	8-719-200-02	DIODE 10E2
D501	8-719-910-63	DIODE HZ6A3L
D502	8-719-200-23	DIODE 11E2
D503	8-719-200-23	DIODE 11E2
D504	8-719-200-23	DIODE 11E2
D505	8-719-200-23	DIODE 11E2
F101	1-231-388-00	FILTER, LOW PASS
F102	1-235-186-00	ENCAPSULATED COMPONENT
F201	1-231-388-00	FILTER, LOW PASS
F202	1-235-186-00	ENCAPSULATED COMPONENT
FR501	1-217-422-00	FUSIBLE 1 5% 1/2W F
FR502	1-217-422-00	FUSIBLE 1 5% 1/2W F
HE101	8-825-724-00	HEAD, ERASE EF-201-36
HRP101	8-825-507-80	HEAD (PP227-3602F)
IC101	8-759-912-79	IC IR2E02
IC201	8-759-912-79	IC IR2E02
IC301	8-759-600-02	IC M5218L
IC302	8-752-018-70	IC CX20187
IC303	8-759-600-02	IC M5218L
IC304	8-759-101-55	IC CX10032A
IC401	8-759-204-46	IC TC9310N-071
IC402	8-759-602-47	IC M50761-417P
J101	1-507-909-11	JACK, PIN 4P (LINE IN L)
J102	1-507-909-11	JACK, PIN 4P (LINE OUT L)
J201	1-507-909-11	JACK, PIN 4P (LINE IN R)
J202	1-507-909-11	JACK, PIN 4P (LINE OUT R)
J301	1-507-797-21	JACK, LARGE TYPE (MIC)
J302	1-507-982-11	JACK (LARGE TYPE) (HEADPHONES)
L101	1-408-923-00	MICRO INDUCTOR 8.2MMH
L102	1-408-930-00	MICRO INDUCTOR 33MMH
L201	1-408-923-00	MICRO INDUCTOR 8.2MMH
L202	1-408-930-00	MICRO INDUCTOR 33MMH
M401	X-3319-612-1	MOTOR ASSY, REEL
M402	1-541-239-00	MOTOR
PM401	1-454-316-00	SOLENOID, PLUNGER
PM402	1-454-316-00	SOLENOID, PLUNGER
PI401	8-719-902-90	PHOTO INTERRUPTOR SPI201-20

ELECTRICAL PARTS

Ref.No.	Part No.	Description
Q101	8-729-102-03	TRANSISTOR 2SD1020
Q102	8-729-900-80	TRANSISTOR DTC114ES
Q103	8-729-606-33	TRANSISTOR 2SC2603F
Q201	8-729-102-03	TRANSISTOR 2SD1020-H
Q202	8-729-900-80	TRANSISTOR DTC114ES
Q203	8-729-606-33	TRANSISTOR 2SC2603F
Q301	8-729-194-57	TRANSISTOR 2SC945
Q302	8-729-194-57	TRANSISTOR 2SC945
Q303	8-729-606-33	TRANSISTOR 2SC2603F
Q304	8-729-900-61	TRANSISTOR DTA114ES
Q305	8-729-900-61	TRANSISTOR DTA114ES
Q306	8-729-606-33	TRANSISTOR 2SC2785
Q307	8-729-117-54	TRANSISTOR 2SA1175
Q401	8-729-900-80	TRANSISTOR DTC114ES
Q402	8-729-900-65	TRANSISTOR DTA114ES
Q403	8-729-900-80	TRANSISTOR DTC114ES
Q404	8-729-900-80	TRANSISTOR DTC114ES
Q405	8-729-117-54	TRANSISTOR 2SA1175
Q407	8-729-800-83	TRANSISTOR 2SB808
Q408	8-729-800-83	TRANSISTOR 2SB808
Q409	8-729-177-43	TRANSISTOR 2SD774
Q410	8-729-177-43	TRANSISTOR 2SD774
Q411	8-729-900-80	TRANSISTOR DTC114ES
Q412	8-729-177-43	TRANSISTOR 2SD774
Q417	8-729-900-80	TRANSISTOR DTC114ES
Q418	8-729-900-80	TRANSISTOR DTC114ES
Q419	8-729-900-85	TRANSISTOR DTA144WS
Q501	8-729-180-92	TRANSISTOR 2SD809-K
Q502	8-729-606-33	TRANSISTOR 2SC2603F
Q503	8-729-173-13	TRANSISTOR 2SB731
Q504	8-729-117-54	TRANSISTOR 2SA1175
Q505	8-729-811-24	TRANSISTOR 2SD1012
Q506	8-729-800-83	TRANSISTOR 2SB808
R101	1-247-867-00	CARBON 33K 5% 1/6W
R103	1-247-855-00	CARBON 10K 5% 1/6W
R104	1-247-819-00	CARBON 330 5% 1/6W
R105	1-247-865-00	CARBON 27K 5% 1/6W
R106	1-247-871-00	CARBON 47K 5% 1/6W
R107	1-247-843-00	CARBON 3.3K 5% 1/6W
R108	1-247-851-00	CARBON 6.8K 5% 1/6W
R109	1-247-822-00	CARBON 430 5% 1/6W
R110	1-247-847-00	CARBON 4.7K 5% 1/6W
R111	1-247-840-00	CARBON 2.4K 5% 1/6W
R112	1-247-851-00	CARBON 6.8K 5% 1/6W
R113	1-247-827-00	CARBON 680 5% 1/6W
R114	1-249-421-11	CARBON 2.2K 5% 1/6W
R115	1-247-855-00	CARBON 10K 5% 1/6W
R116	1-247-847-00	CARBON 4.7K 5% 1/6W
R117	1-247-863-00	CARBON 22K 5% 1/6W
R118	1-249-421-11	CARBON 2.2K 5% 1/6W
R119	1-249-421-11	CARBON 2.2K 5% 1/6W
R120	1-247-831-00	CARBON 1K 5% 1/6W
R121	1-247-833-00	CARBON 1.2K 5% 1/6W
R122	1-249-421-11	CARBON 2.2K 5% 1/6W
R123	1-247-840-00	CARBON 2.4K 5% 1/6W
R124	1-247-116-00	CARBON 240 5% 1/4W
R125	1-246-529-00	CARBON 220K 5% 1/4W

ELECTRICAL PARTS

Ref.No.	Part No.	Description			
R126	1-247-107-00	CARBON	100	5%	1/4W
R127	1-246-524-00	CARBON	130K	5%	1/4W
R128	1-247-149-00	CARBON	5.6K	5%	1/4W
R129	1-247-863-00	CARBON	22K	5%	1/6W
R130	1-247-857-00	CARBON	12K	5%	1/6W
R131	1-247-858-00	CARBON	13K	5%	1/6W
R132	1-247-887-00	CARBON	220K	5%	1/6W
R133	1-247-821-00	CARBON	390	5%	1/6W
R135	1-247-831-00	CARBON	1K	5%	1/6W
R136	1-247-879-00	CARBON	100K	5%	1/6W
R137	1-247-859-00	CARBON	15K	5%	1/6W
R140	1-247-837-00	CARBON	1.8K	5%	1/6W
R141	1-247-815-00	CARBON	220	5%	1/6W
R142	1-249-421-11	CARBON	2.2K	5%	1/6W
R143	1-247-855-00	CARBON	10K	5%	1/6W
R144	1-247-859-00	CARBON	15K	5%	1/6W
R145	1-247-847-00	CARBON	4.7K	5%	1/6W
R146	1-247-879-00	CARBON	100K	5%	1/6W
R147	1-247-861-00	CARBON	18K	5%	1/6W
R148	1-247-878-00	CARBON	91K	5%	1/6W
R149	1-247-879-00	CARBON	100K	5%	1/6W
R150	1-247-855-00	CARBON	10K	5%	1/6W
R151	1-247-855-00	CARBON	10K	5%	1/6W
R155	1-247-841-00	CARBON	2.7K	5%	1/6W
R301	1-247-879-00	CARBON	100K	5%	1/6W
R302	1-247-883-00	CARBON	150K	5%	1/6W
R303	1-247-831-00	CARBON	1K	5%	1/6W
R304	1-247-831-00	CARBON	1K	5%	1/6W
R307	1-247-847-00	CARBON	4.7K	5%	1/6W
R308	1-247-835-00	CARBON	1.5K	5%	1/6W
R309	1-247-773-00	CARBON	3.9	5%	1/6W
R310	1-247-861-00	CARBON	18K	5%	1/6W
R311	1-247-861-00	CARBON	18K	5%	1/6W
R312	1-247-855-00	CARBON	10K	5%	1/6W
R313	1-247-858-00	CARBON	13K	5%	1/6W
R314	1-247-855-00	CARBON	10K	5%	1/6W
R315	1-247-840-00	CARBON	2.4K	5%	1/6W
R316	1-247-847-00	CARBON	4.7K	5%	1/6W
R317	1-247-879-00	CARBON	100K	5%	1/6W
R318	1-247-843-00	CARBON	3.3K	5%	1/6W
R319	1-247-861-00	CARBON	18K	5%	1/6W
R320	1-247-843-00	CARBON	3.3K	5%	1/6W
R321	1-247-855-00	CARBON	10K	5%	1/6W
R322	1-247-815-00	CARBON	220	5%	1/6W
R323	1-247-823-00	CARBON	470	5%	1/6W
R324	1-247-823-00	CARBON	470	5%	1/6W
R401	1-247-872-00	CARBON	51K	5%	1/6W
R402	1-247-863-00	CARBON	22K	5%	1/6W
R405	1-247-841-00	CARBON	2.7K	5%	1/6W
R406	1-247-903-00	CARBON	1M	5%	1/6W
R408	1-247-861-00	CARBON	18K	5%	1/6W
R409	1-247-857-00	CARBON	12K	5%	1/6W
R410	1-247-861-00	CARBON	18K	5%	1/6W
R411	1-247-807-00	CARBON	100	5%	1/6W

ELECTRICAL PARTS

Ref.No.	Part No.	Description			
R412	1-247-783-00	CARBON	10	5%	1/6W
R413	1-247-819-00	CARBON	330	5%	1/6W
R414	1-247-879-00	CARBON	100K	5%	1/6W
R415	1-247-855-00	CARBON	10K	5%	1/6W
R425	1-247-831-00	CARBON	1K	5%	1/6W
R426	1-247-831-00	CARBON	1K	5%	1/6W
R427	1-247-821-00	CARBON	390	5%	1/6W
R428	1-247-849-00	CARBON	5.6K	5%	1/6W
R429	1-247-819-00	CARBON	330	5%	1/6W
R430	1-247-831-00	CARBON	1K	5%	1/6W
R431	1-247-831-00	CARBON	1K	5%	1/6W
R434	1-247-863-00	CARBON	22K	5%	1/6W
R435	1-247-815-00	CARBON	220	5%	1/6W
R436	1-247-821-00	CARBON	390	5%	1/6W
R437	1-247-821-00	CARBON	390	5%	1/6W
R439	1-247-863-00	CARBON	22K	5%	1/6W
R440	1-247-855-00	CARBON	10K	5%	1/6W
R445	1-247-879-00	CARBON	100K	5%	1/6W
R446	1-247-831-00	CARBON	1K	5%	1/6W
R501	1-247-143-00	CARBON	3.3K	5%	1/4W
R502	1-247-125-00	CARBON	560	5%	1/4W
R503	1-247-131-00	CARBON	1K	5%	1/4W
R504	1-247-131-00	CARBON	1K	5%	1/4W
R505	1-247-141-00	CARBON	2.7K	5%	1/4W
R506	1-247-131-00	CARBON	1K	5%	1/4W
R507	1-247-131-00	CARBON	1K	5%	1/4W
R508	1-247-133-00	CARBON	1.2K	5%	1/4W
RV101	1-230-713-21	RES, VAR, SLIDE	20K/20K		
RV102	1-228-994-00	RES, ADJ, CARBON	10K		
RV104	1-228-994-00	RES, ADJ, CARBON	10K		
RV201	1-230-713-21	RES, VAR, SLIDE	20K/20K		
RV202	1-228-994-00	RES, ADJ, CARBON	10K		
RV204	1-228-994-00	RES, ADJ, CARBON	10K		
RY301	1-515-547-11	RELAY			
S301	1-570-252-11	SWITCH, PUSH (5 KEY)			
S302	1-570-252-11	SWITCH, PUSH (5 KEY)			
S303	1-570-252-11	SWITCH, PUSH (5 KEY)			
S304	1-570-252-11	SWITCH, PUSH (5 KEY)			
S305	1-570-252-11	SWITCH, PUSH (5 KEY)			
S405	1-554-303-00	SWITCH, KEY BOARD (REC)			
S406	1-554-303-00	SWITCH, KEY BOARD (FWD)			
S407	1-554-303-00	SWITCH, KEY BOARD (REW)			
S408	1-554-303-00	SWITCH, KEY BOARD (FF)			
S409	1-554-303-00	SWITCH, KEY BOARD (PAUSE)			
S410	1-554-303-00	SWITCH, KEY BOARD (REC MUTE)			
S411	1-554-303-00	SWITCH, KEY BOARD (STOP)			
S501	1-570-103-11	SWITCH, PUSH (1 KEY)			
S502	△.1-570-307-00	(E)...SWITCH, SLIDE (VOLTAGE SELECT)			
T301	1-433-298-11	TRANSFORMER, BIAS OSCILLATION			
T401	△.1-448-154-11	(US,Canadian)...TRANSFORMER, POWER			
T401	△.1-448-155-11	(AEP,UK).....TRANSFORMER, POWER			
T401	△.1-448-156-11	(E).....TRANSFORMER, POWER			
X401	1-527-532-00	OSCILLATOR, CERAMIC			

The components identified by shading and mark △ are critical for safety. Replace only with part number specified.

Les composants identifiés par une trame et une marque △ sont critiques pour la sécurité. Ne les remplacer que par une pièce portant le numéro spécifié.

ACCESSORY & PACKING MATERIAL

<u>No.</u>	<u>Part No.</u>	<u>Description</u>
201	1-551-734-11	CORD, CONNECTION (RK- 74A)
202	1-556-372-41	CORD, CONNECTION (4 CORE)
203	3-318-958-01	CUSHION (LEFT), LOWER
204	3-760-448-11	(Canadian,AEP,UK,E)...MANUAL, INSTRUCTION
204	3-760-448-21	(US)...MANUAL, INSTRUCTION
204	3-760-448-41	(Canadian,AEP)...MANUAL, INSTRUCTION
205	3-318-959-01	CUSHION (RIGHT), LOWER
206	3-318-960-01	CUSHION (LEFT), UPPER
207	3-318-961-01	CUSHION (RIGHT), UPPER
208	3-318-988-01	INDIVIDUAL CARTON
209	3-701-630-00	BAG, POLYETHYLENE
210	3-703-895-01	(Canadian,AEP:BLACK)...LABEL, COLOR
211	3-703-906-01	(Canadian,AEP:SILVER)...LABEL, COLOR
212	4-876-352-00	SHEET, PROTECTION
213	8-890-454-10	(Canadian)...TAPE (UCX-S)